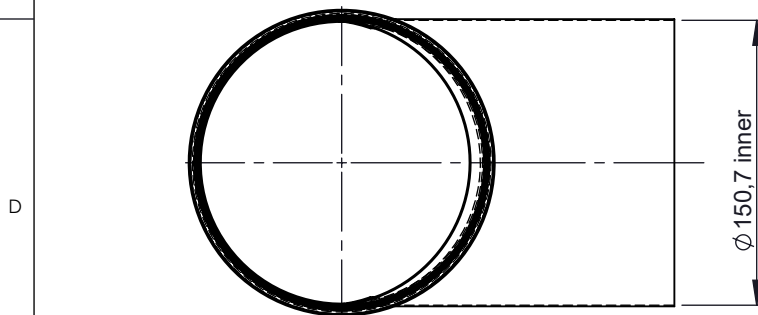
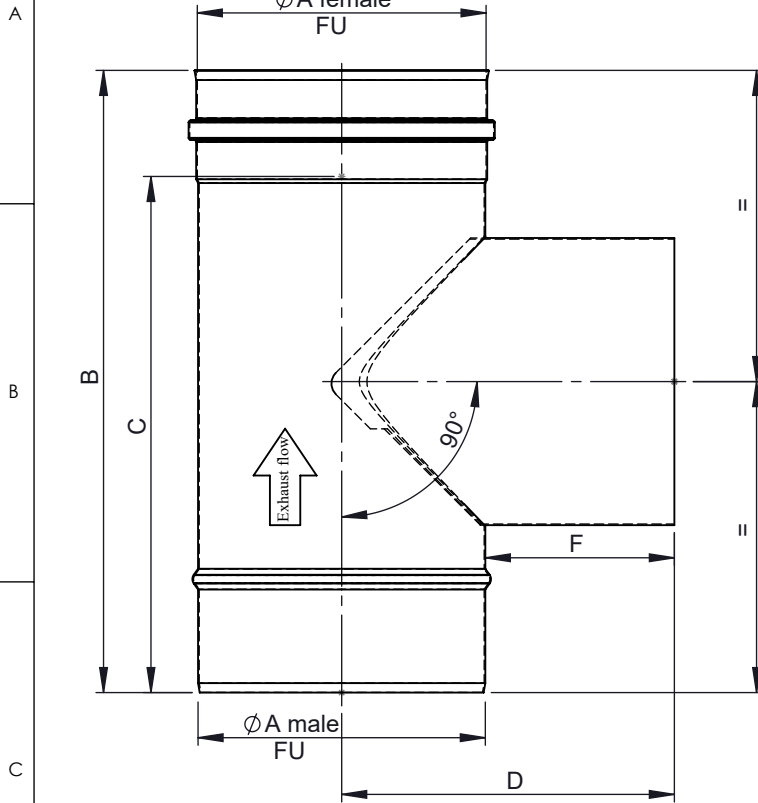
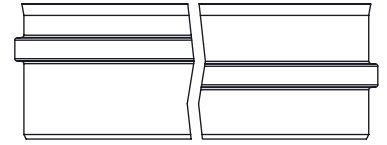
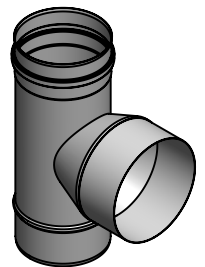


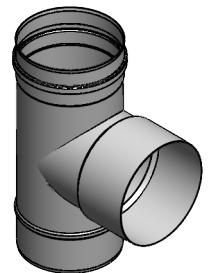
Possible type of female part "FU"



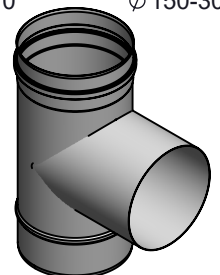
M 1:10 Ø 080-125



M 1:10 Ø 130-140



M 1:10 Ø 150-300



Ø	080	100	115	120	125	130	140	150	160	180	190	200	225	250	300
A	80	100	115	120	125	130	140	150	160	180	190	200	225	250	300
B	276	329													
C	220	273													
D	149	159	166	169	171	166	171	176	181	191	196	201	213	226	251
F	108					100									
kg	0,6	0,75	0,82	0,84	0,86	0,88	0,92	0,98	1,01	1,11	1,15	1,2	1,33	1,45	1,71

notes:

DIN ISO 13920 Tolerances B

revisions-no.

mm / kg

Jeremias[®]
CHIMNEY SYSTEMS

scale

1:4

format

A4

sheet

1 of 1

F

description

Draft regulator connection tee

date

26.07.21

name

PWA

checked by

26.07.21

SWA

approved by

26.07.21

JWY

modified by

code

FU36 Ø

drawing-no.

01-20-1753-000

