

A

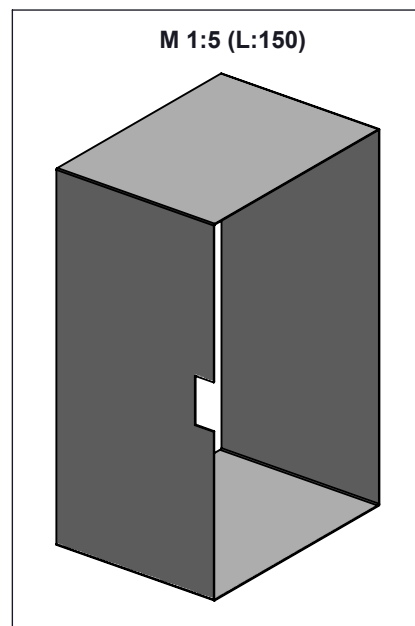
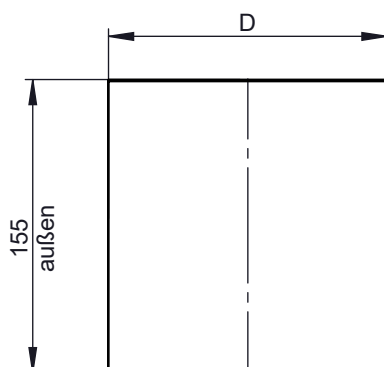
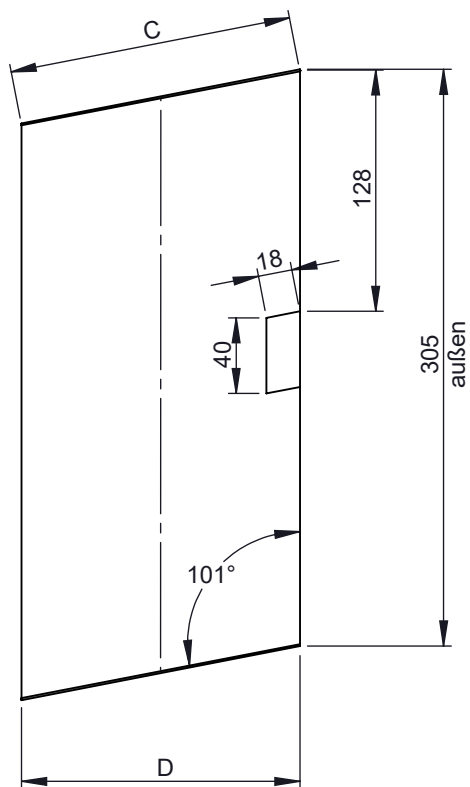
B

C

D

E

F



Länge	60	100	150	200	250	300	500	1000
C	60	100	150	200	250	300	500	1000
D	59	98	147	196	245	294	491	982
kg	0,2	0,4	0,6	0,9	1,1	1,3	2,1	4,3

notes:

DIN ISO 13920 Tolerances B

revisions-no.

A1

mm / kg

date

name

drawn by

04.06.2020

KSA

checked by

approved by

modified by

Jeremias
CHIMNEY SYSTEMS

description Schiebestutzen schräg 101°
für Tür 300x150mm

code **FU12**

drawing-no.

01-01-20-1881-000

scale

1:4

format

A4

sheet

1 of 1

