

A

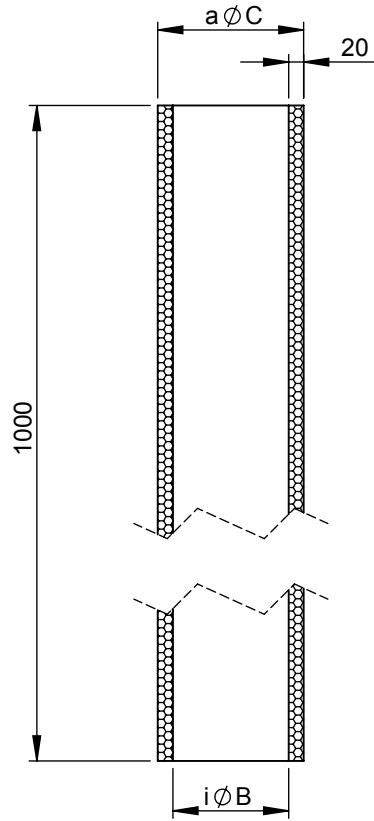
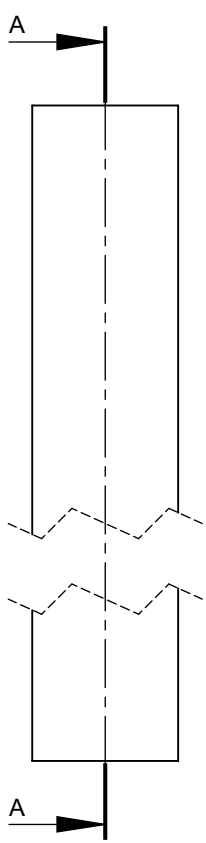
B

C

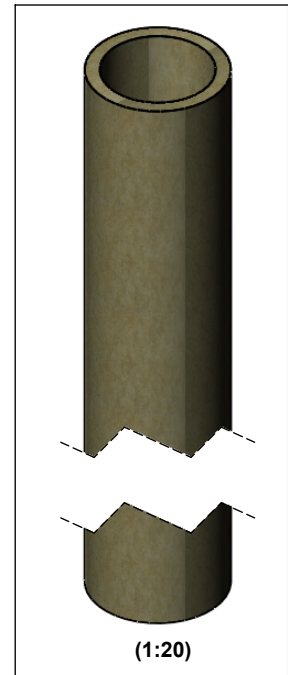
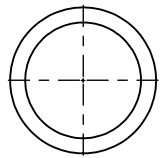
D

E

F



A-A



| | | | | | | | | | | | | | |
|----|------|------|------|------|------|------|------|------|------|------|------|------|------|
| Ø | 0080 | 0100 | 0115 | 0120 | 0130 | 0140 | 0150 | 0160 | 0180 | 0200 | 0225 | 0250 | 0300 |
| B | 83 | 105 | 116 | 123 | 133 | 143 | 153 | 163 | 183 | 205 | 227 | 255 | 305 |
| C | 123 | 145 | 156 | 163 | 173 | 183 | 193 | 203 | 223 | 245 | 267 | 295 | 345 |
| t | 20 | | | | | | | | | | | | |
| kg | 0,64 | 078 | 0,84 | 0,90 | 0,96 | 1,02 | 1,09 | 1,15 | 1,28 | 1,41 | 1,55 | 1,73 | 2,04 |

| | | | | | | | | | |
|-----------------------------|--|----------------------------|--|---------------|--|----------------------|--|--------------------------------------|--|
| material: inside/outside | | surface: inside/outside | | revisions-no. | | | | Scale | |
| Isover | | | | A1 | | | | 1:10 | |
| | | | | date | | name | | Format | |
| | | | | drawn | | KAB | | A4 | |
| | | | | checked | | | | Sheet | |
| | | | | checked | | | | 1 | |
| | | | | checked | | | | | |
| A1 | | 31.07.2015 | | OSP | | appr. | | drawing-no. | |
| revision | | date | | name | | All rights reserved! | | | |
| | | | | | | | | description | |
| | | | | | | | | FU 39-20 Isolierschale / Stärke 20mm | |
| | | | | | | | | code | |
| | | | | | | | | FU 39-20 | |