

A

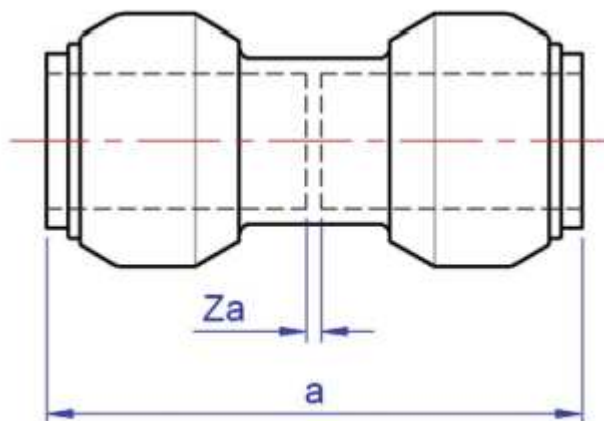
B

C

D

E

F



NW øD	ø22
a	59
Za	1

notes:

DIN ISO 13920 Tolerances B

revisions-no.

A4

mm / kg

**Jeremias**<sup>®</sup>  
CHIMNEY SYSTEMS

scale

format

A4

sheet

1 of 1

descriptor

Steckmuffe Ø 22 mm

code

750FITTINGV-22

drawing-no.

