

1

2

3

4

A

B

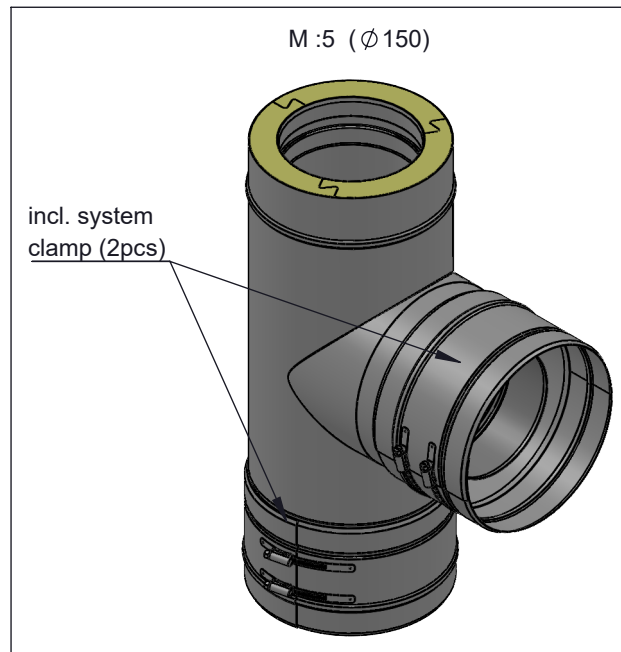
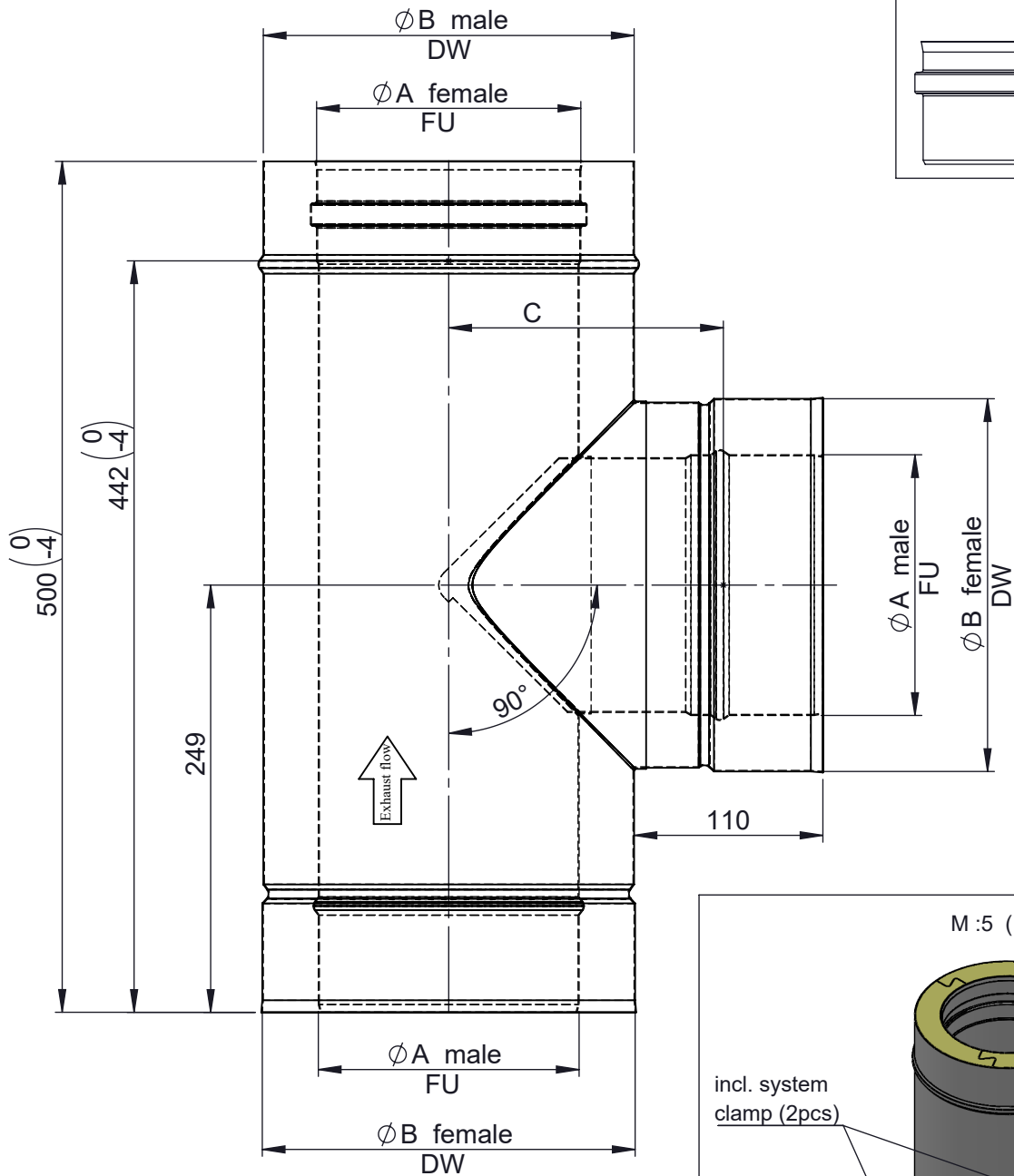
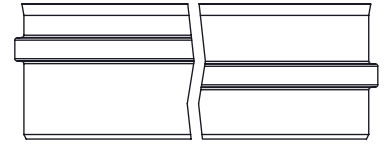
C

D

E

F

Possible type of female part "FU"



$\varnothing$	<b>130</b>	<b>150</b>	180	<b>200</b>
<b>A</b>	130	150	180	200
<b>B</b>	195	215	245	265
<b>C</b>	150	160	175	185
<b>kg</b>	4,7	5,2	6,0	6,5

notes:

DIN ISO 13920 Tolerances B

revisions-no.

00

mm / kg

date

name

drawn by

13.12.22

AKO

checked by

13.12.22

JAD

approved by

13.12.22

JWY

modified by

  
**Jeremias**®  
 CHIMNEY SYSTEMS

scale

1:5

format

A4

sheet

1 of 1

description

90° Tee with condensate drain edge, DWI and DWA extruded

code

**DW 2866**

drawing-no.

**01-02-20-2100-000**