

A

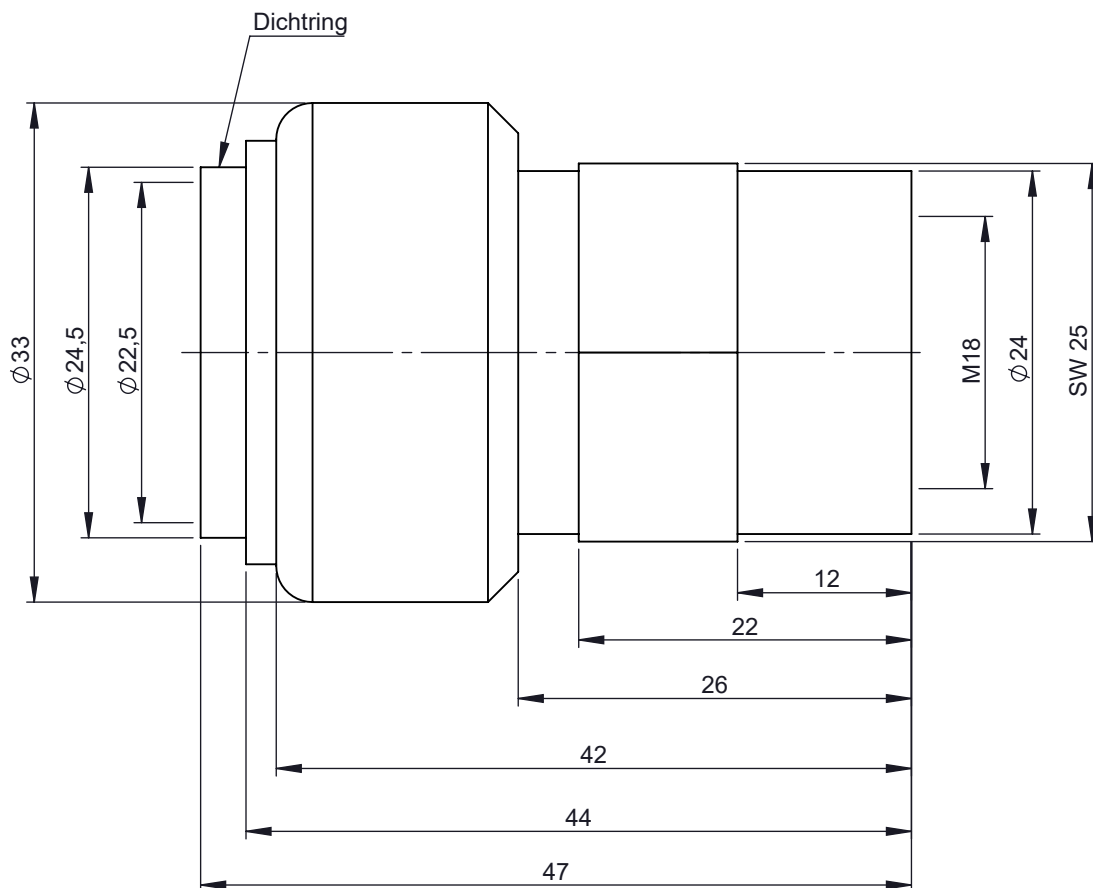
B

C

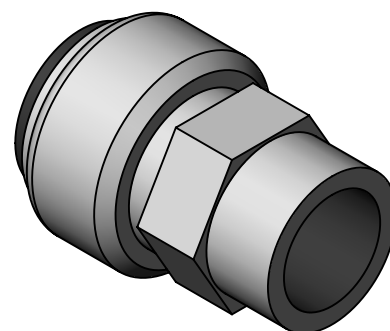
D



E

F



M 1:1



material: inside/outside	1.4404 (316L)	surface: inside/outside	DIN ISO 13920 Tolerances B			 CHIMNEY SYSTEMS	scale	2:1
			revisions-no.	A1	mm / kg		format	A4
notes:			date	name	description	Fittingmuffe 1/2" mit Anschlag	sheet	1 of 1
			drawn by	29.10.2018			LBU	code
			checked by			drawing-no.	01-20-9114-000	
			approved by					
			modified by	14.05.2019	LBU			