

A

B

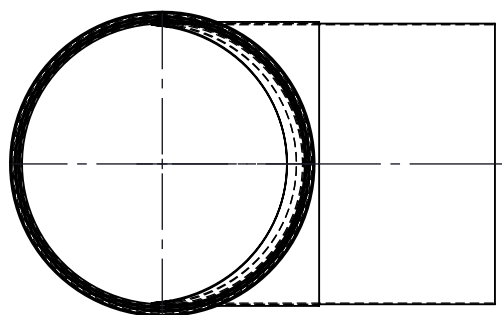
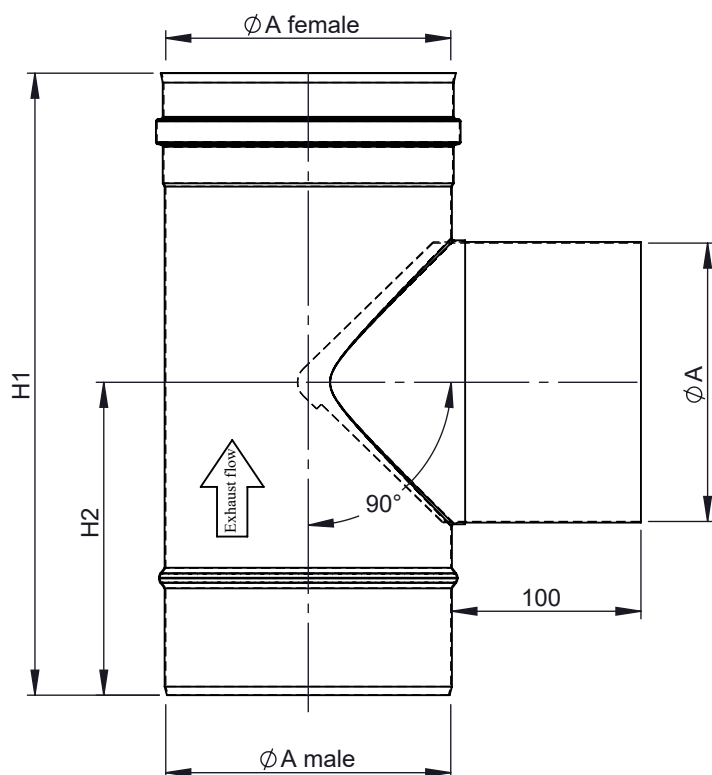
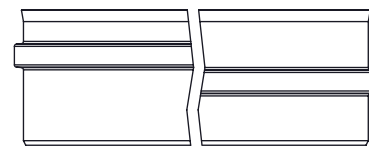
C

D

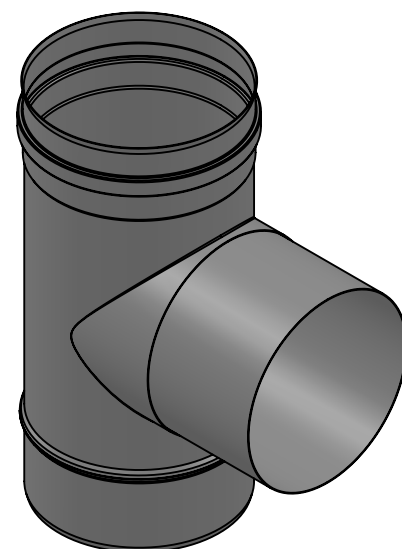
E

F

Possible type of female part "FU"



(Ø 150)



Ø	080	100	120	125	130	150	160	180	200	250	300
A	80	100	120	125	130	150	160	180	200	250	300
H1	276	329					376			446	496
H2	140	166,5					190			225	250
kg	0,5	0,7	0,8	0,9	0,9	1,0	1,2	1,4	1,5	2,2	2,9

notes:

ENCD

DIN ISO 13920 Tolerances B

revisions-no.

02

mm / kg

date

18.10.24

name

MFL

checked by

18.10.24

JAD

approved by

18.10.24

BBR

modified by

Jeremias®
 CHIMNEY SYSTEMS
description
90° Tee with condensate drain edge (extruded)code
FU06317 Ødrawing-no.
01-01-20-2200-000

scale

1:5

format

A4

sheet

1 of 1

