

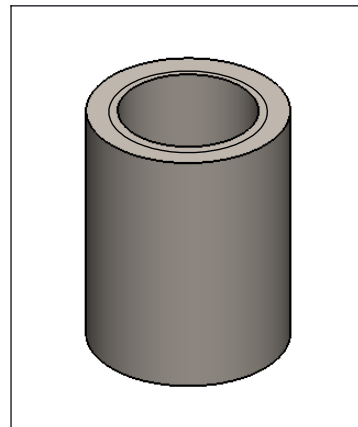
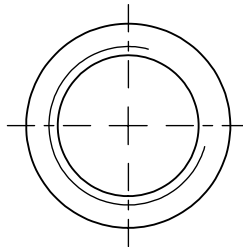
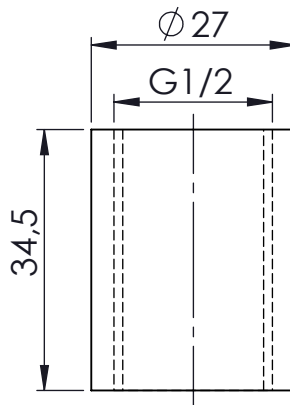
A

B

C

D

E



material: inside/outside	316L	surface: inside/outside	weight: 0,08kg
			revisions-no. A1

**Jeremias**<sup>®</sup>

revision	date	name

description	EW-FU 126 1-2 Zoll Muffe
code	
drawing-no.	A4
scale:	1:1
sheet	1 of 1