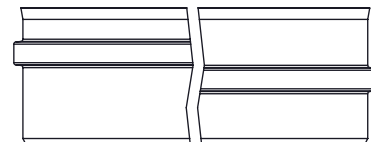
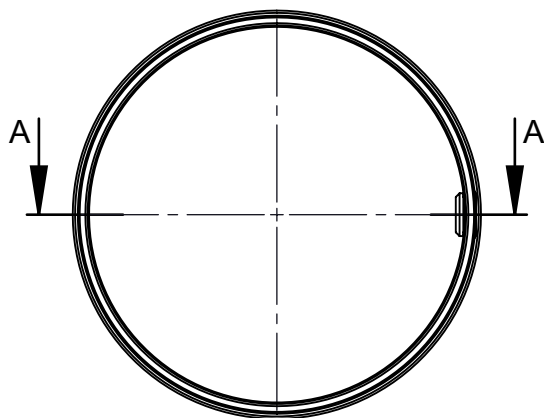


A

Possible type of female part "FU"

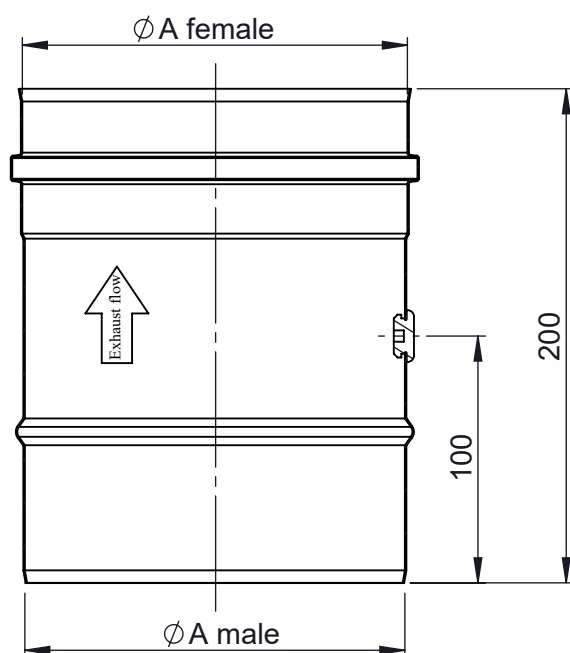


B



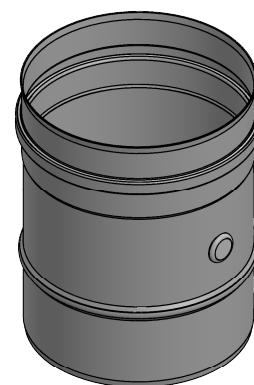
C

SECTION A-A



D

E

1:4 ($\varnothing 150$)

\varnothing	080	100	110	115	120	130	140	150	160	180	200	225	250	300	350	400	450	500	550	600
A	80	100	110	115	120	130	140	150	160	180	200	225	250	300	350	400	450	500	550	600
waga [kg]	0,25	0,3	0,33	0,35	0,36	0,39	0,42	0,45	0,48	0,54	0,6	0,68	0,75	0,9	1,06	1,21	1,36	1,51	1,66	1,81

notes:

ENCD

DIN ISO 13920 Tolerances B

revisions-no.

02

mm / kg

Jeremias[®]
CHIMNEY SYSTEMS

scale

1:3

format

A4

sheet

1 of 1

F

	date	name
drawn by	20.01.23	KOS
checked by	20.01.23	JAD
approved by	20.01.23	JWY
modified by		

description Length 200mm with test point for up to 600°C

code **FU 112 \varnothing**

drawing-no. **01-20-4164-000**

