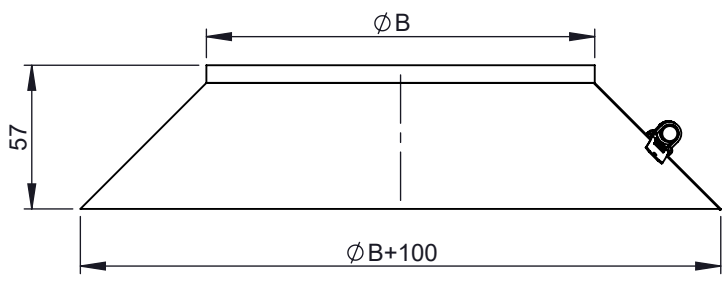
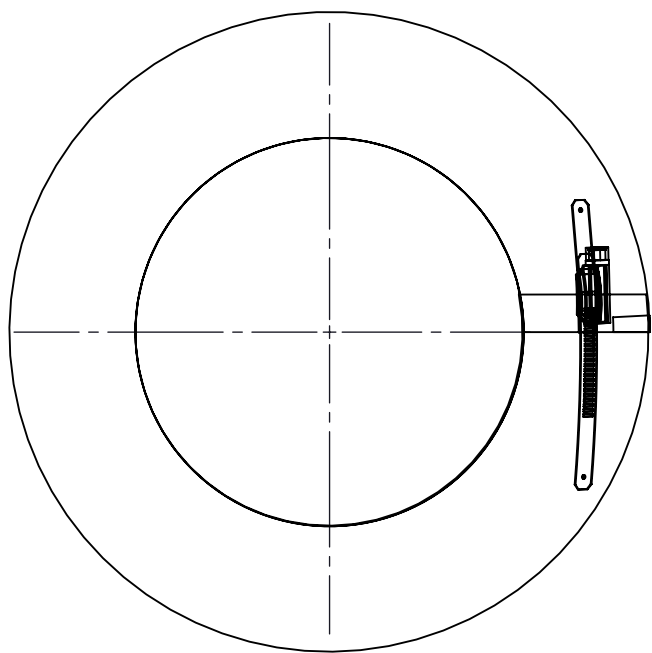


A



B

C



D

E



Ø200 M 1:10

Ø	080	100	110	115	120	130	140	150	160	180	200	225	250	300	350	400	450	500	550	600
B	145	165	175	180	185	195	205	215	225	245	265	290	315	365	415	465	515	565	615	665
kg	0,3					0,4					0,5			0,6		0,7		0,8	0,9	

notes:
ENCD

DIN ISO 13920 Tolerances B

revisions-no.

date	name
12.09.20	MSA
12.09.20	SWA
12.09.20	JWY

drawn by

checked by

approved by

modified by

Jeremias[®]
CHIMNEY SYSTEMS

description: Storm collar with edge

code: DW 307 Ø

drawing-no.: 01-02-20-5451-000

scale: 1:5

format: A4

sheet: 1 of 1

F