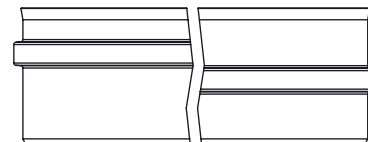
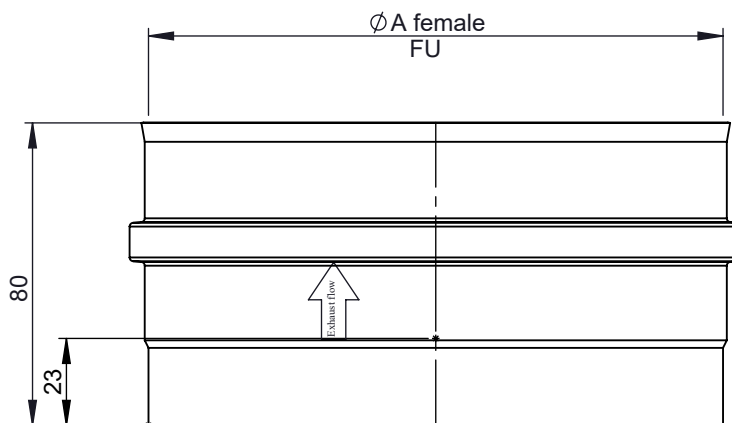


A

Possible type of female part "FU"



B

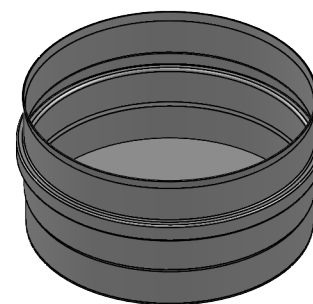


C

D

E

1:5 (150)



\varnothing	60	80	90	100	110	115	120	125	130	140	150	160	180	200	225	250	300	350	400	450	500	550	600	650
A	60	80	90	100	110	115	120	125	130	140	150	160	180	200	225	250	300	350	400	450	500	550	600	650
kg	0,1	0,14	0,16	0,19	0,21	0,22	0,23	0,25	0,26	0,29	0,32	0,34	0,4	0,47	0,55	0,65	0,85	1,08	1,33	1,61	1,92	2,25	2,6	2,98

notes:

ENCD

DIN ISO 13920 Tolerances B

revisions-no.

A3

mm / kg

Jeremias[®]
CHIMNEY SYSTEMS

scale

1:2

format

A4

sheet

1 of 1

F

date

24.10.20

name

JMA

drawn by

24.10.20

SWA

checked by

24.10.20

JWY

approved by

modified by

description

Condensation pan

code

FU95B

drawing-no.

01-01-20-1001-000

