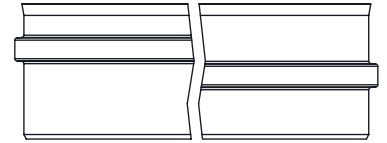
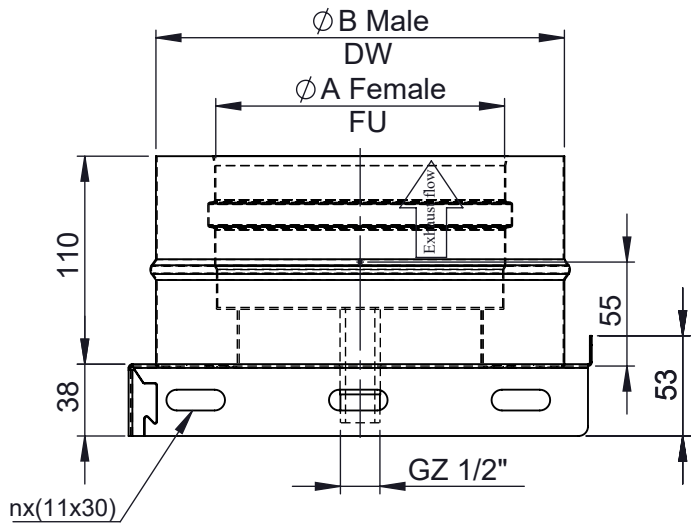


Possible type of female part "FU"

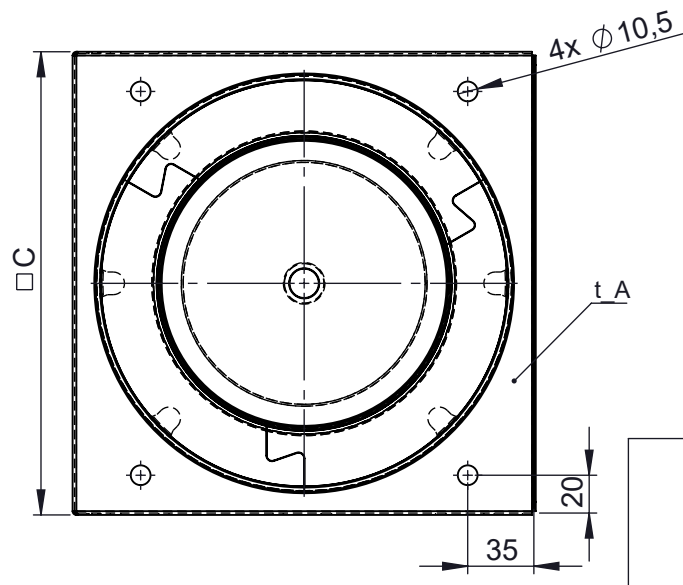


A

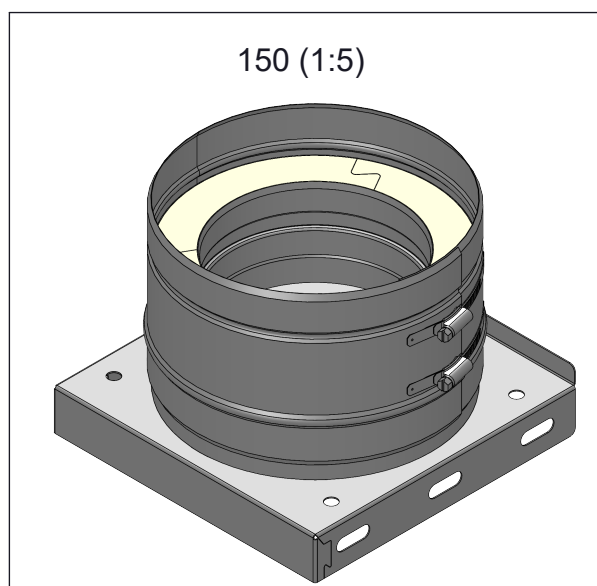


B

C



D



E

Ø	80	100	110	115	120	125	130	140	150	160	180	200	225	250	300	350	400	450	500	550	600
A	80	100	110	115	120	125	130	140	150	160	180	200	225	250	300	350	400	450	500	550	600
B	145	165	175	180	185	190	195	205	215	225	245	265	290	315	365	415	465	515	565	615	665
□C	215					220	225	235	245	255	275	295	320	345	395	445	495	545	595	645	695
t A	1											1,5					2				
n	3																5				
kg	1,23	1,36	1,43	1,46	1,5	1,56	1,61	1,73	2,22	1,99	2,25	2,53	3,43	3,89	5,51	6,95	8,37	9,92	11,59	13,38	16,41

notes:

ENCD

DIN ISO 13920 Tolerances B

revisions-no.

06

mm / kg



scale

1:5

format

A4

sheet

1 of 1

F

date name

drawn by 04.03.24 PMA

checked by 04.03.24 JAD

approved by 04.03.24 JWY

modified by 27.11.24 PMA

description Base plate with condensate outlet at bottom

code DW05 Ø

drawing-no. 02-20-1092-000

