

1

2

3

4

A

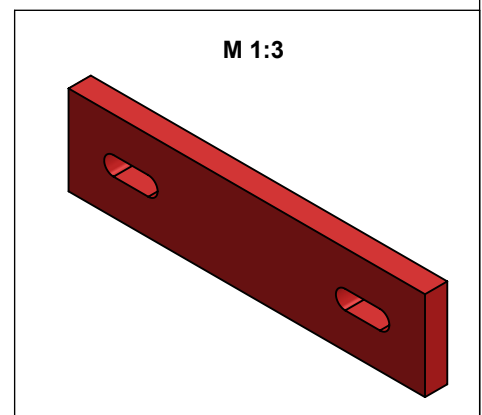
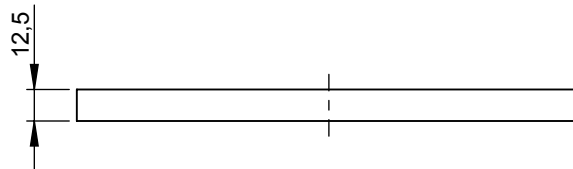
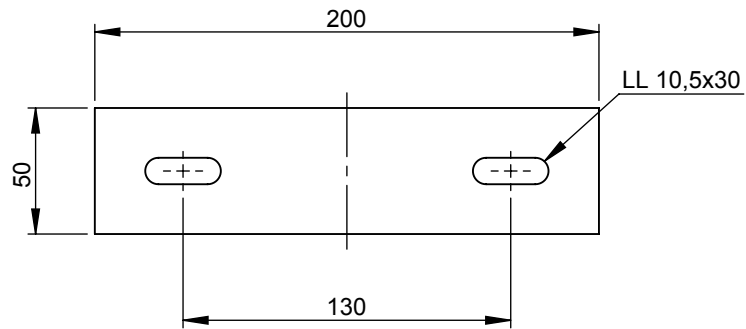
B



C

D

E

F



material: inside/outside	surface: inside/outside	DIN ISO 13920 Tolerances B			 Jeremias [®] CHIMNEY SYSTEMS	scale	
		Sylomer SR 220-12	Rot	revisions-no. A1		mm / kg	1:3
notes:			date	name	description	format	
			drawn by	KAB		Matte zur Schallentkopplung Typ F	A4
			checked by		code	sheet	
			approved by			ZUAC2274	1 of 1
			modified by			drawing-no.	
					07-04-0580-000		