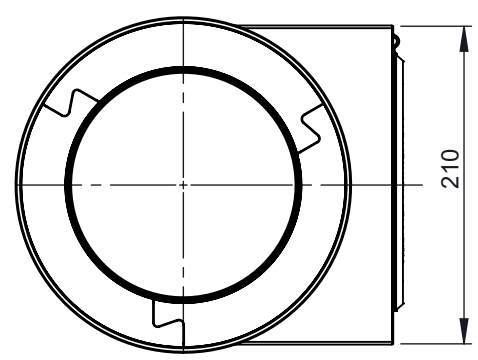
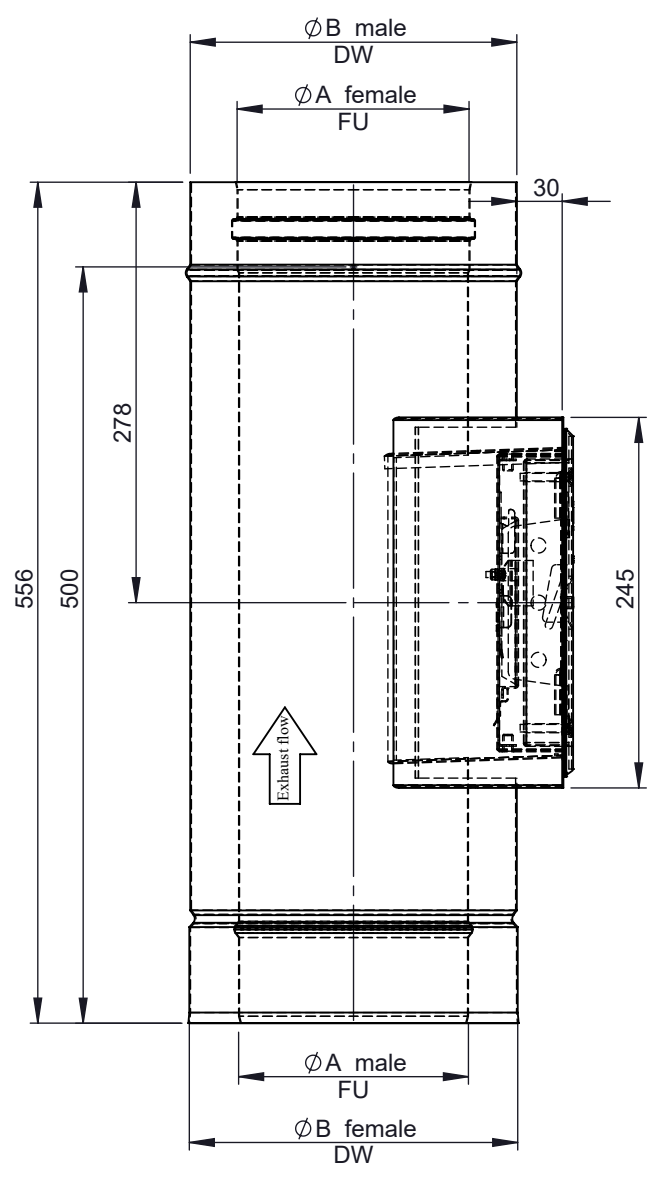
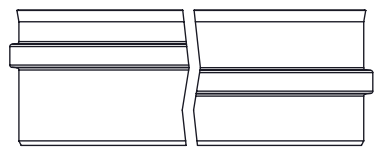
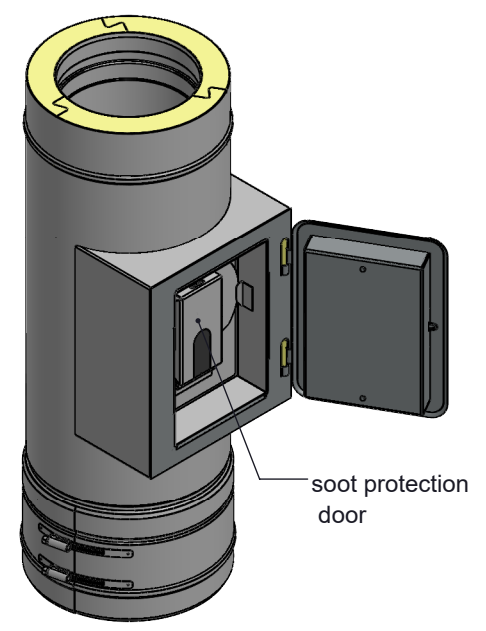


A  
B  
C  
D  
E  
F

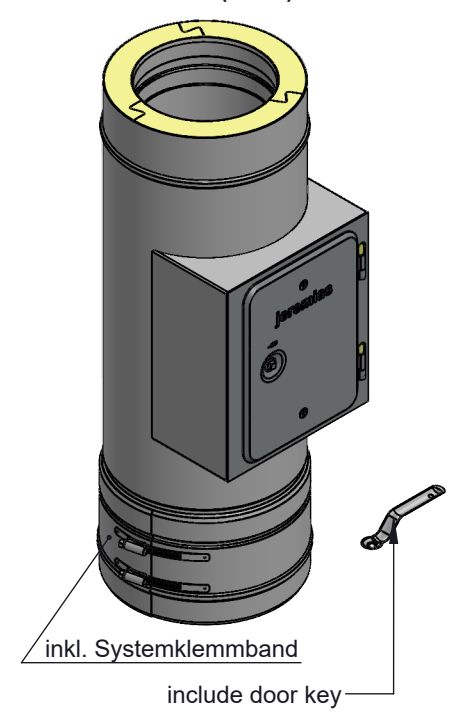
Possible type of female part "FU"



M 1:8 (Ø150)



M 1:8 (Ø150)



|    |     |     |     |     |     |     |     |     |     |     |     |     |     |     |      |      |      |      |      |      |      |
|----|-----|-----|-----|-----|-----|-----|-----|-----|-----|-----|-----|-----|-----|-----|------|------|------|------|------|------|------|
| Ø  | 80  | 100 | 110 | 115 | 120 | 125 | 130 | 140 | 150 | 160 | 180 | 200 | 225 | 250 | 300  | 350  | 400  | 450  | 500  | 550  | 600  |
| A  | 80  | 100 | 110 | 115 | 120 | 125 | 130 | 140 | 150 | 160 | 180 | 200 | 225 | 250 | 300  | 350  | 400  | 450  | 500  | 550  | 600  |
| B  | 145 | 165 | 175 | 180 | 185 | 190 | 195 | 205 | 215 | 225 | 245 | 265 | 290 | 315 | 365  | 415  | 465  | 515  | 565  | 615  | 665  |
| kg | 5,0 | 5,3 | 5,5 | 5,6 | 5,7 | 5,8 | 6,0 | 6,3 | 6,5 | 7,0 | 7,1 | 7,6 | 8,2 | 8,7 | 10,4 | 12,2 | 13,5 | 14,8 | 16,2 | 18,4 | 18,8 |

notes:  
ENCD

|                            |              |
|----------------------------|--------------|
| DIN ISO 13920 Tolerances B |              |
| revisions-no.              | 0            |
|                            | mm / kg      |
| date                       | name         |
| drawn by                   | 13.06.23 AKO |
| checked by                 | 13.06.23 JAD |
| approved by                | 13.06.23 JWY |
| modified by                |              |



|             |   |
|-------------|---|
| description | Inspection length (up to 600°C/N1), square door 210x140mm, soot protection door |
| code        | DW10RST   |
| drawing-no. | 01-02-20-1604-000   |

|        |        |
|--------|--------|
| scale  | 1:5    |
| format | A4     |
| sheet  | 1 of 1 |
|        |        |