

A

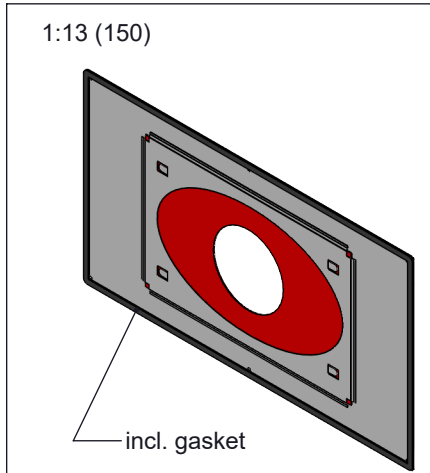
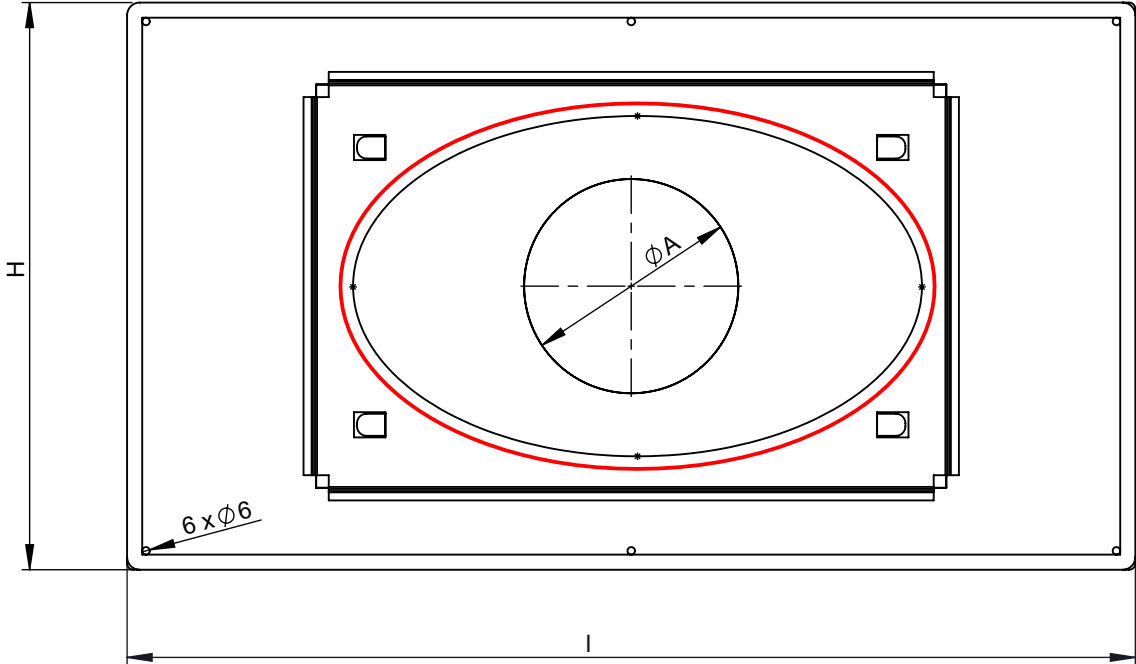
B

C



D

E

F



ϕ	080	100	115	120	130	140	150	160	180	200	225	250	300
A	100	120	135	140	150	160	170	180	200	220	245	270	320
H	400						450			550			
I	750						800			950			
kg	2,1						2,7			3,4			

notes:	DIN ISO 13920 Tolerances B			 CHIMNEY SYSTEMS	scale
	revisions-no.				1:6
				description	format
	drawn by	12.09.20	PWA	ceiling plate 21-40 ° with gasket	A4
	checked by	12.09.20	SWA	code	sheet
	approved by	12.09.20	JWY	DW1704	1 of 1
modified by			drawing-no.		
				02-20-5504-000	