

Ø	060	080	090	100	110	115	120	125	130	140	145	150	160	165	170	175	180	185	190	195	200
<b>B</b>	60	81	91	101	111	116	121	126	131	141	146	152	161	166	171	176	181	186	191	196	201
<b>C</b>	170																				
<b>D</b>	240																				
<b>kg</b>	1,44	1,52	1,52	1,53	1,54	1,55		1,56	1,57	1,76		1,77	1,78	1,79		1,8		1,87		1,88	

Ø	205	210	215	220	225	230	235	240	245	250	255	260	265	275	280	285	290	295	300							
<b>B</b>	206	211	216	221	226	231	236	241	246	251	256	261	266	276	284	286	291	296	301							
<b>C</b>	170																									
<b>D</b>	240																									
<b>kg</b>	1,89		1,92		1,93		1,94		1,95		1,97		1,98		1,99		2,07		2,08		2,09		2,1		2,11	

notes:

DIN ISO 13920 Tolerances B	
revisions-no.	A00
date	mm / kg
drawn by	23.02.22 MSA
checked by	23.02.22 SWA
approved by	23.02.22 JWY
modified by	

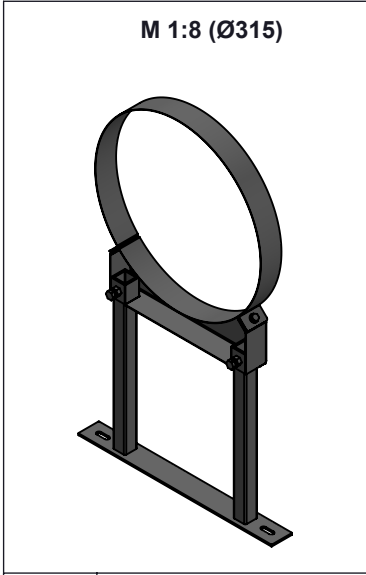
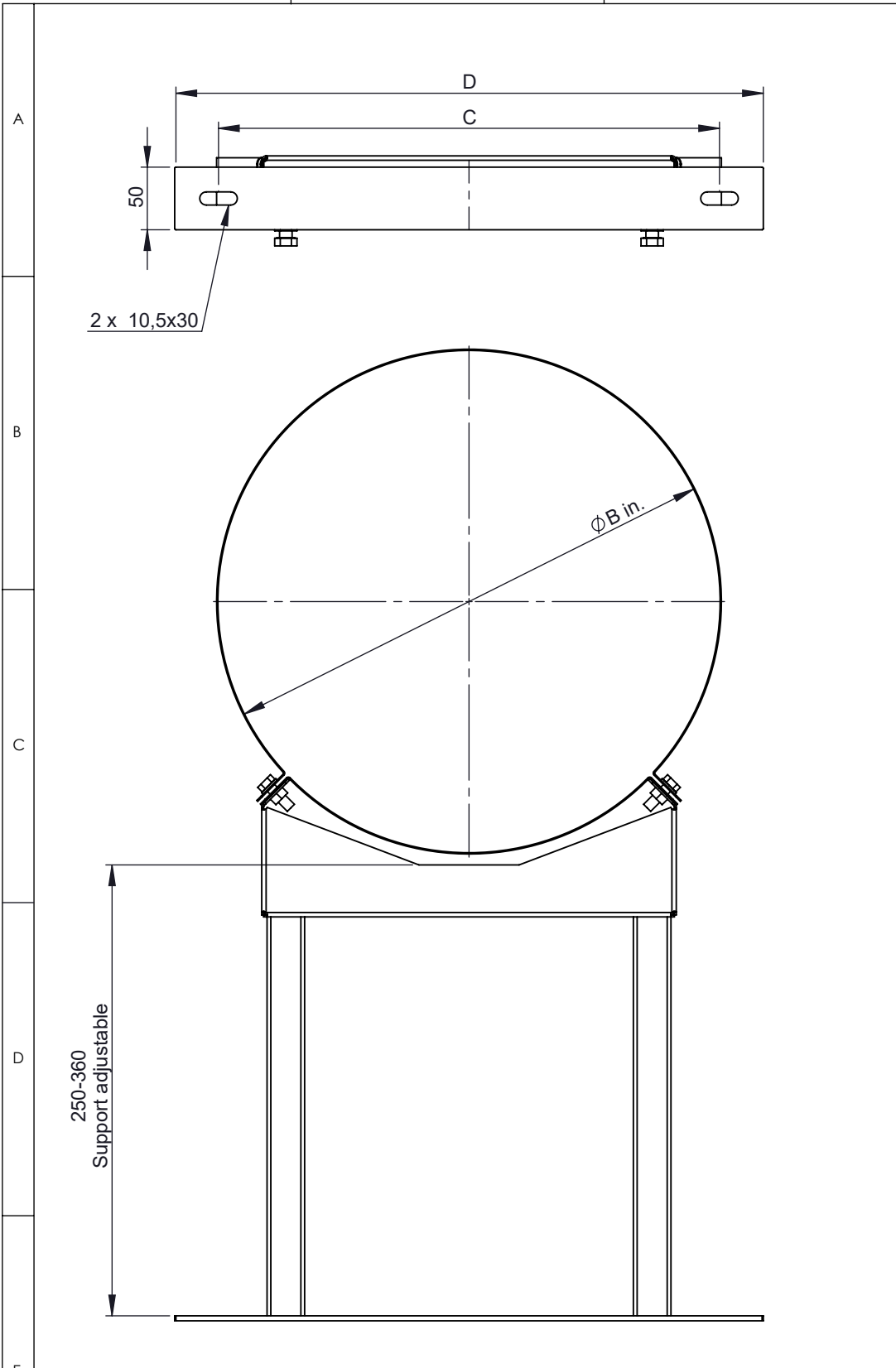
**Jeremias**<sup>®</sup>  
CHIMNEY SYSTEMS

description: Wall bracket adjustable, wall distance 250-360mm

code: **WGR-ZUAC24Ø**

drawing-no.: **07-04-0223-000**


scale	1:5
format	A4
sheet	1 of 2



**M 1:8 (Ø315)**

WGR	MAT
<b>2R2</b>	1.4301(304)-2R(IIID)
<b>2B2</b>	1.4301(304)-2B(IIIC)
<b>2J2</b>	1.4301(304)-2J(GEB)FO

Ø	315	320	325	345	350	360	365	400	415	450	465	480	500	515	550	560	565	600	615	635	650	665
<b>B</b>	316	321	326	346	351	361	366	401	416	451	466	481	501	516	551	561	566	601	616	636	651	666
<b>C</b>	370					400					480					545					700	
<b>D</b>	440					470					550					615					770	
<b>kg</b>	3,11	3,12	3,13	3,15	3,16	3,28	3,33	3,35	3,7	3,71	3,73	3,76	3,77	4,06	4,08	4,08	4,12	4,14	4,17	4,19	4,9	

notes:	DIN ISO 13920 Tolerances B			 <b>Jeremias</b> <sup>®</sup> CHIMNEY SYSTEMS	scale
	revisions-no.		mm / kg		1:4
	A00				format
	date	name	description		
	drawn by	23.02.22	MSA		Wall bracket adjustable, wall distance 250-360mm
	checked by	23.02.22	SWA		
approved by	23.02.22	JWY	code	<b>WGR-ZUAC24Ø</b>	
modified by			drawing-no.	<b>07-04-0223-000</b>	
				sheet	2 of 2
					