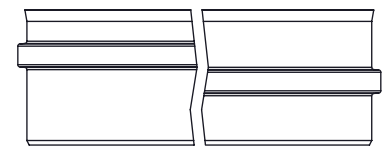
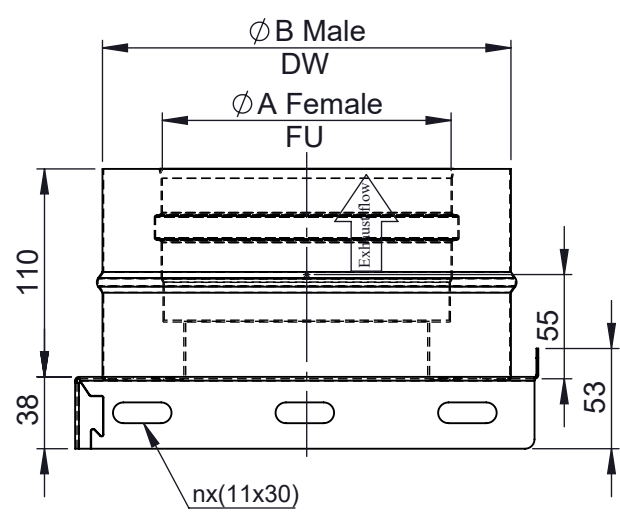


Possible type of female part "FU"

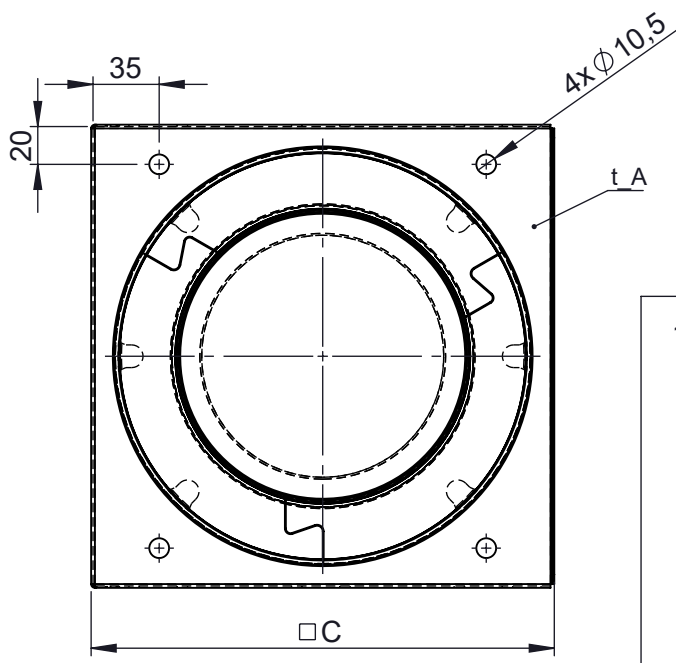


A



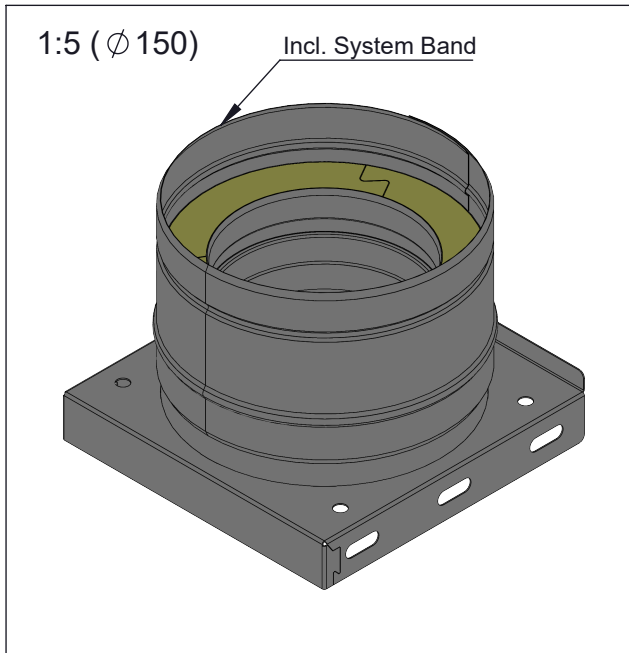
B

C



D

E



$\varnothing$	80	100	110	115	120	125	130	140	150	160	180	200	225	250	300	350	400	450	500	550	600
A	80	100	110	115	120	125	130	140	150	160	180	200	225	250	300	350	400	450	500	550	600
B	145	165	175	180	185	190	195	205	215	225	245	265	290	315	365	415	465	515	565	615	665
C	215					220	225	235	245	255	275	295	320	345	395	445	495	545	595	645	695
t A	1											1,5					2				
n	3											1,5					5				
kg	1,16	1,57	1,36	1,39	1,43	1,49	1,87	1,66	1,79	1,92	2,18	2,46	3,36	3,83	5,44	6,89	8,31	9,86	11,53	13,33	15,25

notes:  
ENCD

DIN ISO 13920 Tolerances B		
revisions-no.	05	
	mm / kg	
date	05.04.24	name
drawn by	PMA	
checked by	JAD	
approved by	JWY	
modified by	PMA	

**Jeremias**<sup>®</sup>  
CHIMNEY SYSTEMS

description: Closed base plate

code: DW09  $\varnothing$

drawing-no.: 02-20-1056-000

scale: 1:5  
format: A4  
sheet: 1 of 1

F