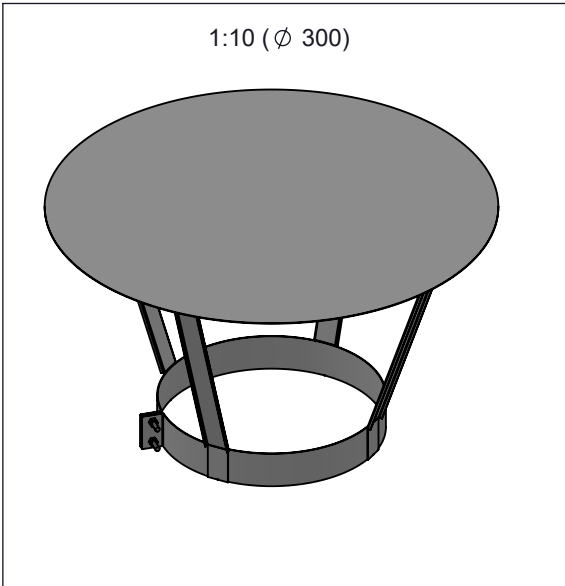
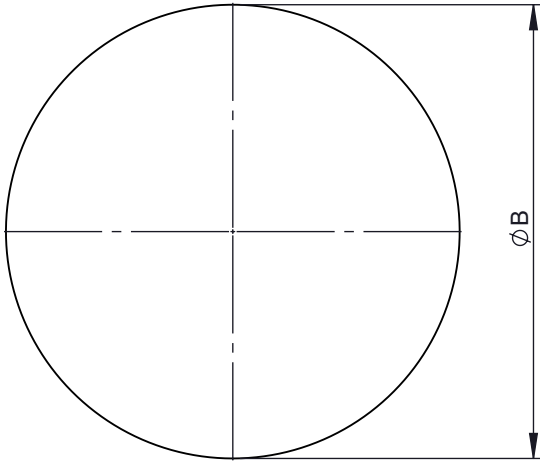
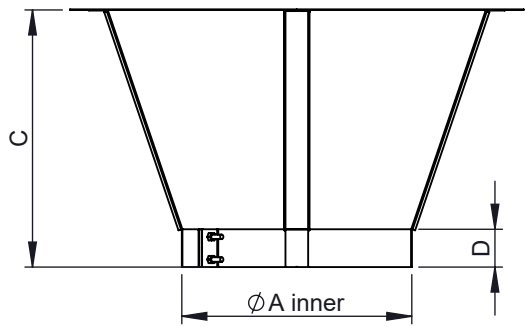




Ø	60	80	100	110	115	120	125	130	140	150	160	180	200	225	230	250	
A	60	81	101	111	116	121	126	131	141	152	161	181	201	226	231	251	
B	120	160	200	220			270			280	300	320	360	400	450		500
C	90	100	120	160			155			165	175	180	200	225	250		290
D	20		25	30										40			
E	15			20						30							
kg	0,1	0,2	0,2	0,3	0,3	0,3	0,4	0,4	0,4	0,5	0,6	0,8	0,9	1,4	1,4	1,8	

notes: ENCD	DIN ISO 13920 Tolerances B								scale
	revisions-no. 06		mm / kg						1:5
	date		name		description Rain cap	format			
	drawn by		HSA			A4			
	checked by		JAD			sheet			
	approved by		JWY			1 of 2			
modified by				code					
				drawing-no. 01-20-5100-000					

© Jeremias GmbH. All rights reserved, also regarding any disposal, exploitation, editing, distribution, as well as in the event of applications for industrial property rights.



Ø	300	350	400	450	500	550	600
A	301	351	401	451	501	551	601
B	600	700	800	900		950	
C	340	410	460	510	560	580	610
D	50						
kg	2,5	3,4	5,3	6,7	6,8	7,9	8

notes: ENCD	DIN ISO 13920 Tolerances B			 CHIMNEY SYSTEMS	scale	
	revisions-no.	06			mm / kg	1:10
	date	name	description		format	
	drawn by	23.11.23	HSA	Rain cap		A4
	checked by	23.11.23	JAD	code		sheet
	approved by	23.11.23	JWY	FU28 Ø		2 of 2
modified by			drawing-no.			
			01-20-5100-000			

© Jeremias GmbH. All rights reserved, also regarding any disposal, exploitation, editing, distribution, as well as in the event of applications for industrial property rights.