

A

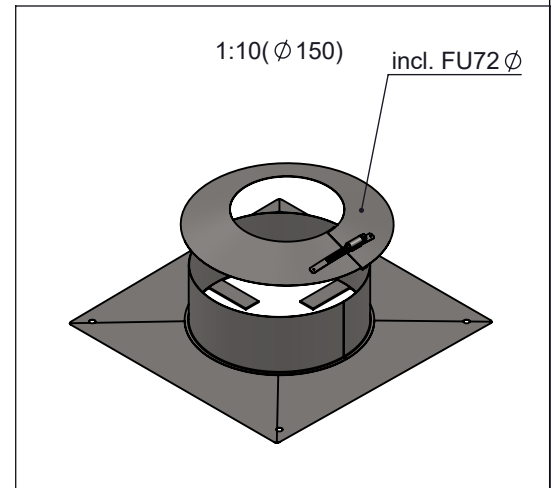
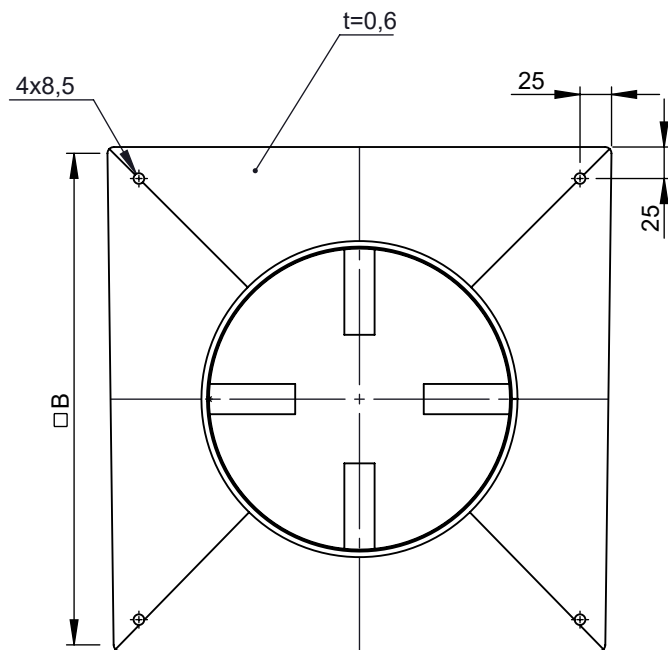
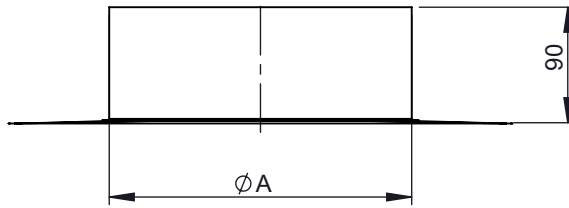
B

C

D

E

F



ϕ	060	080	100	110	115	120	130	140	150	160	180	200	225	230	250	280	300	350	400	450	500	550	600
A	140	160	180	190			210		240		260	280	305		330	360	380	430	480	530	580	630	680
B	330			400						420			450	500	520	540	580	620	680	720	780	820	
kg	0,34	0,39	0,44	1,11	1,11	1,12	1,13	1,14	1,14	1,15	1,26	1,27	1,38	1,4	1,60	1,7	1,79	1,97	2,15	2,45	2,63	2,93	3,54

notes:

DIN ISO 13920 Tolerances B

revisions-no.

date name

drawn by 12.10.20 JAD

checked by 12.10.20 SWA

approved by 12.10.20 JWY

modified by

Jeremias[®]
CHIMNEY SYSTEMS

description End cap with storm collar

code **FU25Ø**drawing-no. **01-20-5020-000**

scale

1:1

format

A4

sheet

1 of 1

