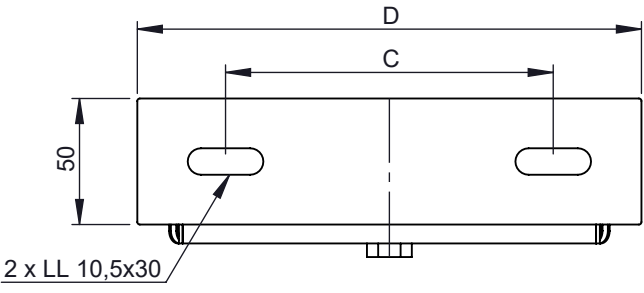
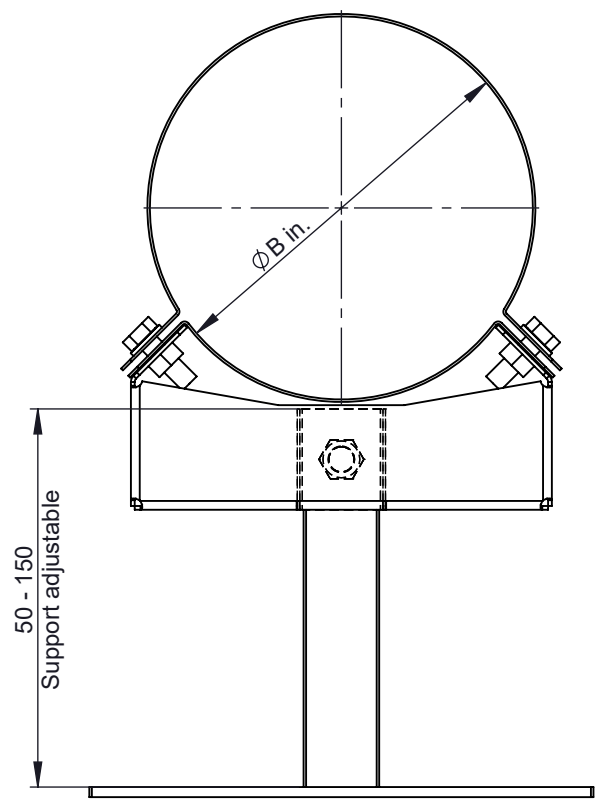


A

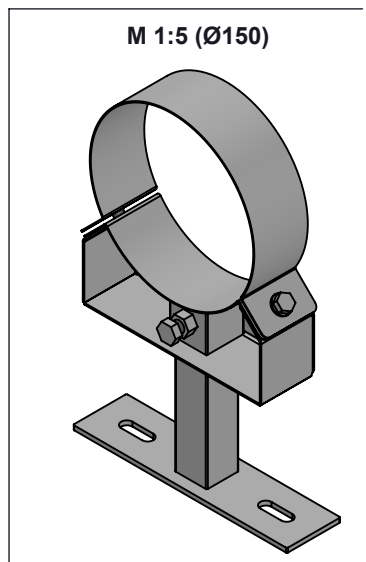


B



C

D



WGR	MAT
2R2	1.4301(304)-2R(IIID)
2B2	1.4301(304)-2B(IIIC)
2J2	1.4301(304)-2J(GEB)FO

Ø	060	080	090	100	110	115	120	125	130	140	145	150	160	165	170	175	180	185	190	195	200
<b>B</b>	60	81	91	101	111	116	121	126	131	141	146	152	161	166	171	176	181	186	191	196	201
<b>C</b>	130																				
<b>D</b>	200																				
<b>KG</b>	0,88	0,96	0,97	0,98	0,99	1,0			1,01	1,2	1,21	1,22	1,23	1,24	1,25	1,31	1,32	1,33			

Ø	205	210	215	220	225	230	235	240	245	250	255	260	265	275	280	285	290	295	300	
<b>B</b>	206	211	216	221	226	231	236	241	246	251	256	261	266	276	284	286	291	296	301	
<b>C</b>	130																			
<b>D</b>	200																			
<b>kg</b>	1,33	1,34	1,36	1,37	1,38	1,39	1,42	1,43	1,44	1,51	1,52	1,53	1,54	1,55	1,56					

notes:

DIN ISO 13920 Tolerances B	
revisions-no.	01
date	mm / kg
drawn by	23.02.22 MSA
checked by	23.02.22 SWA
approved by	23.02.22 JWY
modified by	13.01.25 NSO

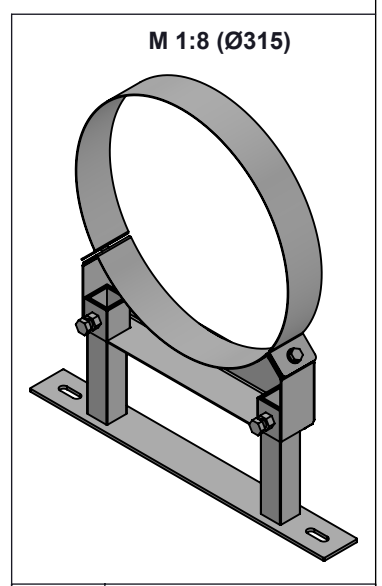
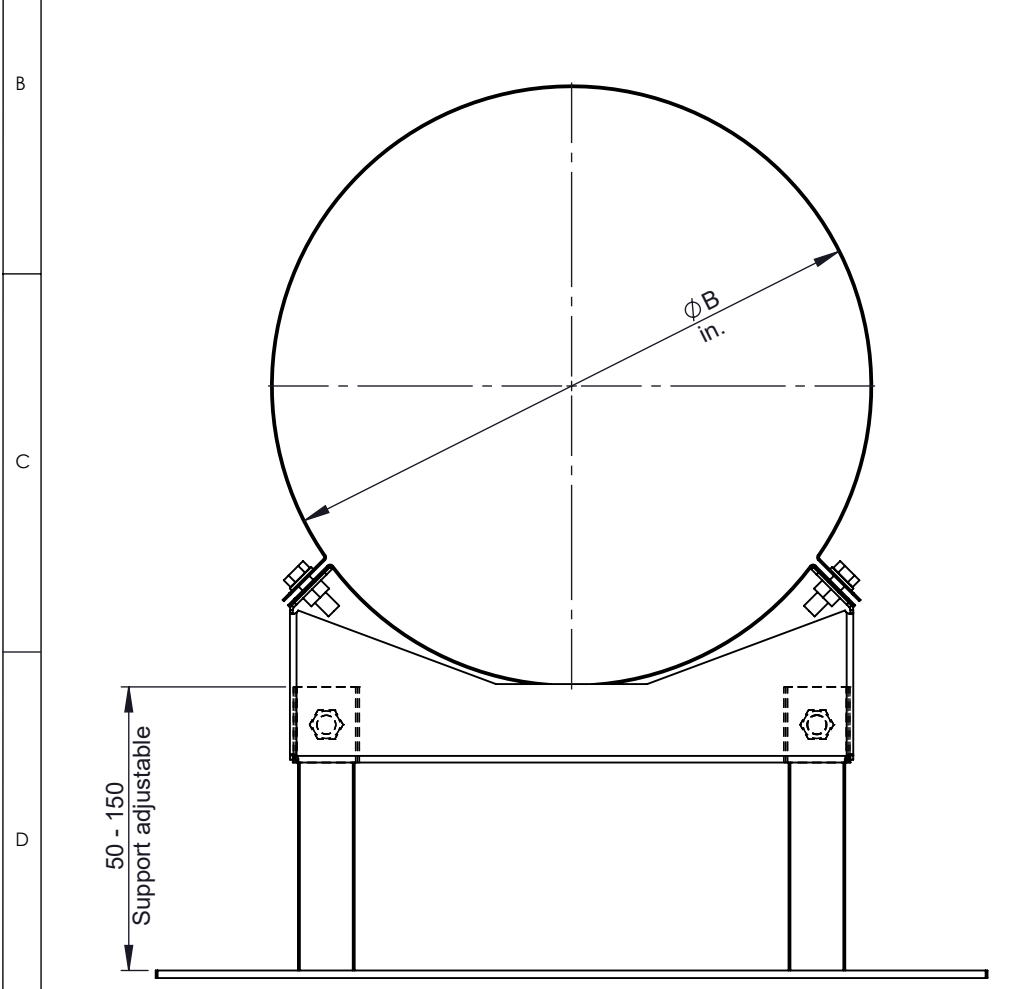
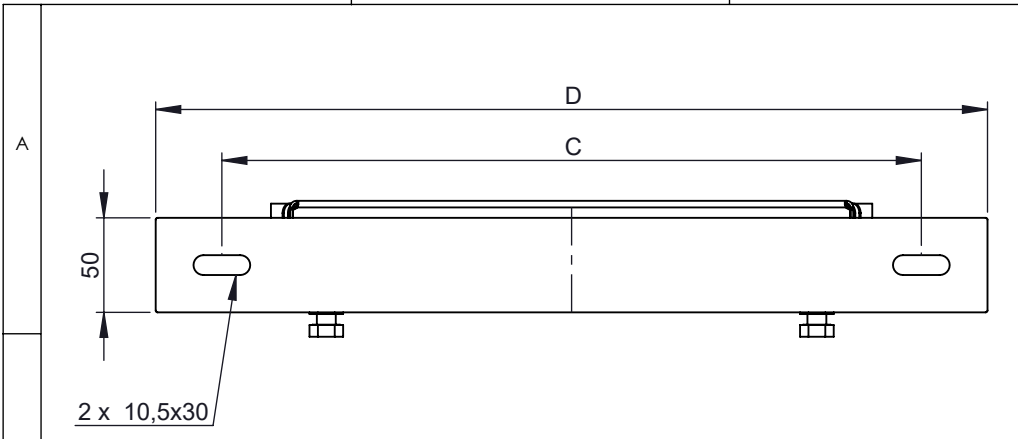
**Jeremias**<sup>®</sup>  
CHIMNEY SYSTEMS

description: Wall bracket adjustable, wall distance 50-150mm

code: **WGR-ZUAC22Ø**

drawing-no.: **07-04-0214-000**

scale	1:3
format	A4
sheet	1 of 2



WGR	MAT
2R2	1.4301(304)-2R(IIID)
2B2	1.4301(304)-2B(IIIC)
2J2	1.4301(304)-2J(GEB)FO

Ø	315	320	325	345	350	360	365	400	415	450	465	480	500	515	550	560	565	600	615	635	650	665
B	316	321	326	346	351	361	366	401	416	451	466	481	501	516	551	561	566	601	616	636	651	666
C	370				400				480				545				700					
D	440				470				550				615				770					
kg	2,37	2,38	2,39	2,41	2,42	2,54	2,59	2,61	2,95	2,97	2,99	3,02	3,03	3,32	3,34	3,38	3,4	3,43	3,45	4,16		

notes:

DIN ISO 13920 Tolerances B	
revisions-no.	01
mm / kg	
date	name
drawn by	23.02.22 MSA
checked by	23.02.22 SWA
approved by	23.02.22 JWY
modified by	13.01.25 NSO

**Jeremias**<sup>®</sup>  
CHIMNEY SYSTEMS

description: Wall bracket adjustable, wall distance 50-150mm

code: **WGR-ZUAC22Ø**

drawing-no.: **07-04-0214-000**

scale	1:4
format	A4
sheet	2 of 2