

1

2

3

4

A

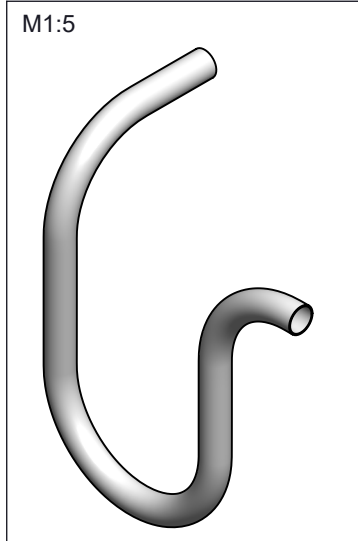
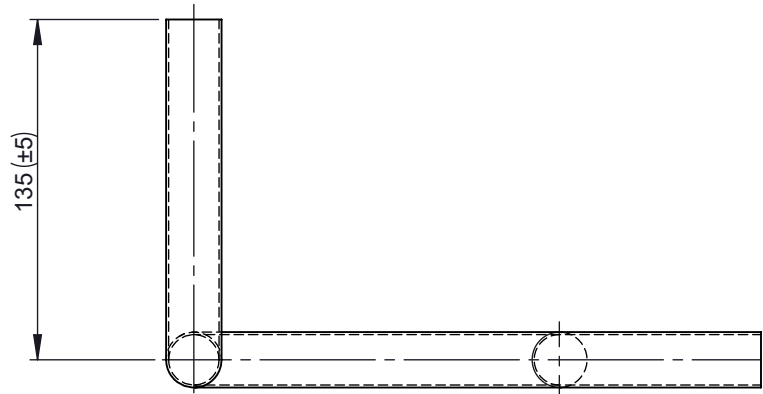
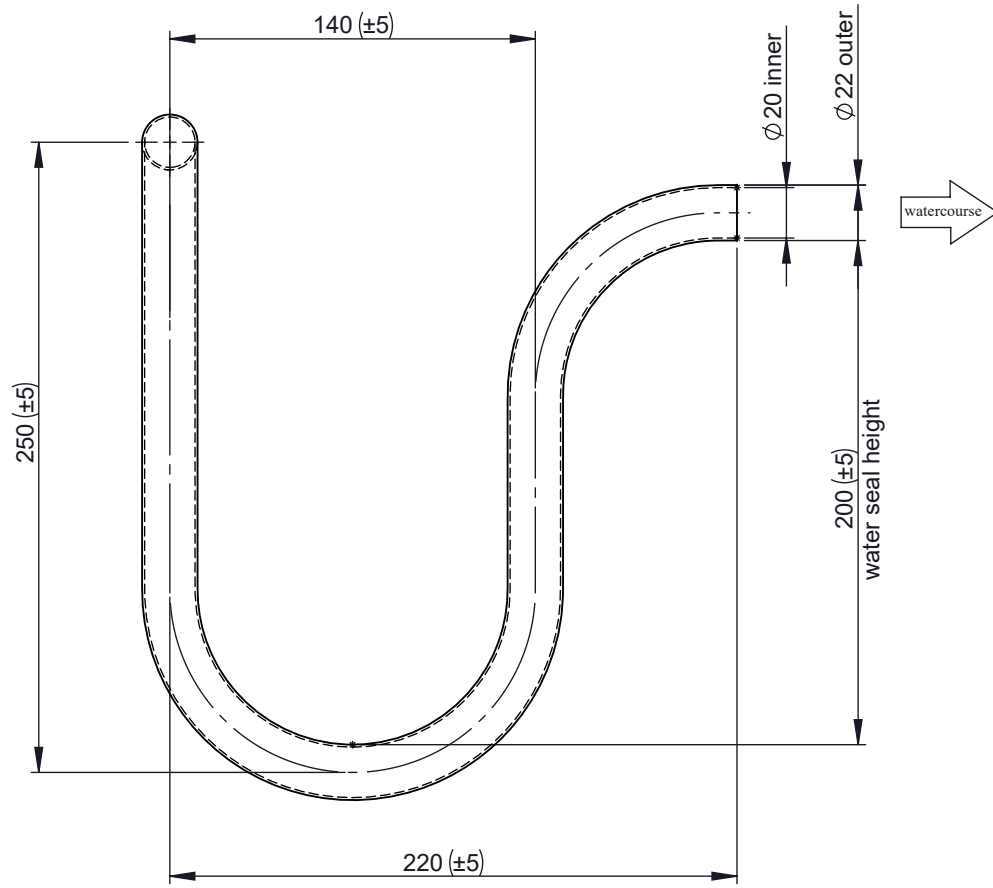
B

C

D


E


F



notes:	0,37 kg
--------	---------

DIN ISO 13920 Tolerances B		
revisions-no.	mm / kg	
	date	name
drawn by	07.09.21	PWA
checked by	07.09.21	SWA
approved by	07.09.21	JWY
modified by		

 CHIMNEY SYSTEMS		description Siphon right, horizontal right entry, horizontal exit, water seal height 200mm
code	ZUAC2301	
drawing-no.	07-00-9088-000	

scale	1:3
format	A4
sheet	1 of 1
	

© Jeremias GmbH. All rights reserved, also regarding any disposal, exploitation, editing, distribution, as well as in the event of applications for industrial property rights.