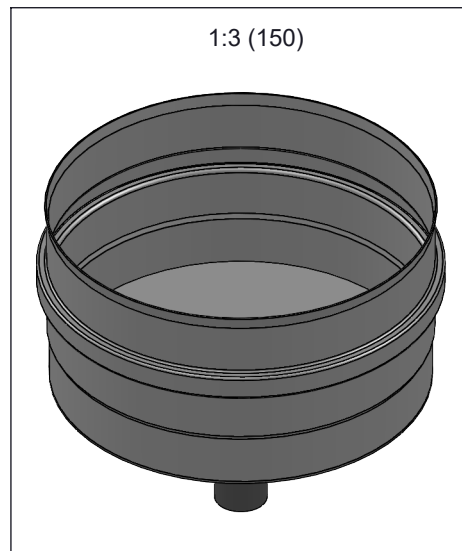
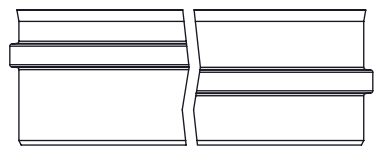




Possible type of female part "FU"



Ø	060	080	090	100	110	115	120	125	130	140	150	160	180	200	225	250	300	350	400	450	500	550	600
A	60	80	90	100	110	115	120	125	130	140	150	160	180	200	225	250	300	350	400	450	500	550	600
kg	0,2			0,3				0,4					0,5	0,6	0,7	0,8	1,0	1,3	1,6	1,9	2,3	2,7	3,1

notes:	DIN ISO 13920 Tolerances B			 <b>Jeremias</b> <sup>®</sup> CHIMNEY SYSTEMS	scale
	revisions-no.	mm / kg			1:2
	date	name	description <b>Condensate collector with bottom drain</b>	format	
	drawn by	09.09.20 PWA		A4	
	checked by	09.09.20 SWA		sheet	
	approved by	09.09.20 JWY		1 of 1	
modified by		code			
		drawing-no.	<b>01-20-1006-000</b>		

© Jeremias GmbH. All rights reserved, also regarding any disposal, exploitation, editing, distribution, as well as in the event of applications for industrial property rights.