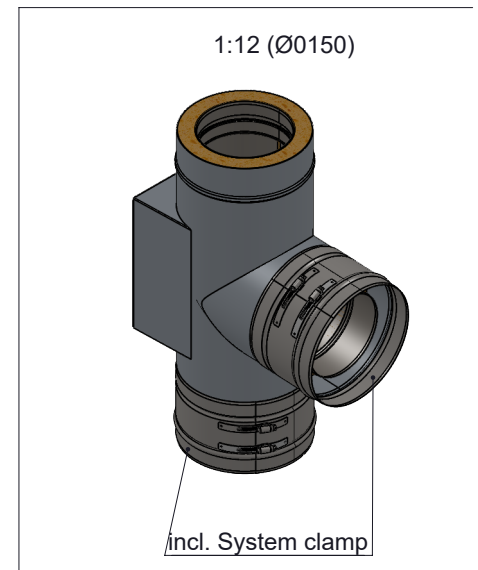
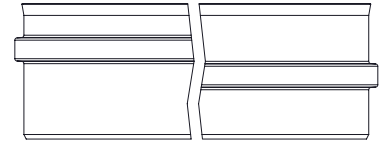


Possible type of female part "FU"



1:12 (Ø0150)

incl. System clamp

Ø	080	100	115	120	130	140	150	160	180	200	225	250	300	350	400	450	500	550	600
A	80	100	115	120	130	140	150	160	180	200	225	250	300	350	400	450	500	550	600
B	145	165	180	185	195	205	215	225	245	265	290	315	365	415	465	515	565	615	665
C	184	195	203	205	211	216	221	227	237	245	261	274	300	326	353	379	405	432	458
D	268	268	267	267	267	267	266	266	266	265	264	264	312	311	360	38	407	405	404
E	556												656		756		856		956
kg	6,73	7,35	7,83	7,98	8,28	8,54	8,85	9,03	9,58	10,13	10,83	11,53	14,31	15,86	19,21	20,96	24,85	26,76	31,3

notes:
ENCD

DIN ISO 13920 Tolerances B

revisions-no.

	date	name
drawn by	19.09.20	MSA
checked by	19.09.20	SWA
approved by	19.09.20	JWY
modified by		

Jeremias[®]
CHIMNEY SYSTEMS

description Pipe tee 87° with cleanout hole

code DW 421 Ø

drawing-no. 01-02-20-2103-000

scale

1:12

format

A4

sheet

1 of 1

