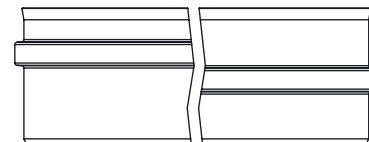
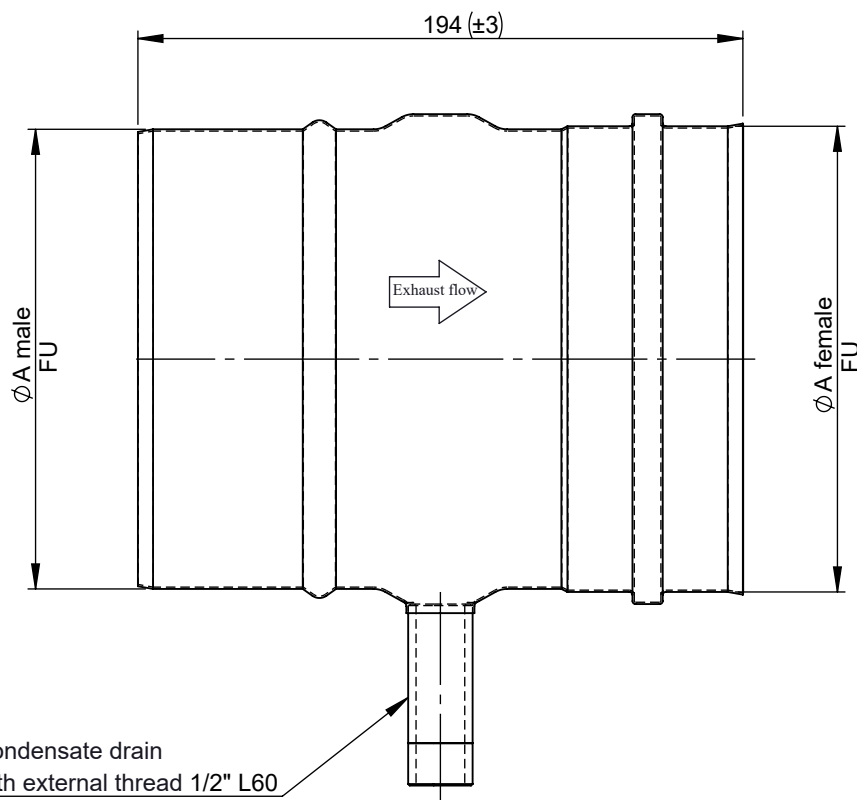


A

Possible type of female part "FU"



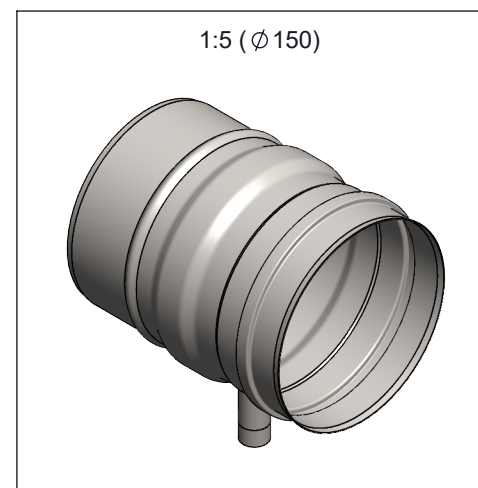
B



C

D

E



Ø	0080	0100	0110	0115	0120	0130	0140	0150	0160	0180	0200	0225	0250	0300	0350	0400	0450	0500	0550	0600
A	80	100	110	115	120	130	140	150	160	180	200	225	250	300	350	400	450	500	550	600
kg	0,30	0,36	0,40	0,41	0,42	0,46	0,49	0,53	0,55	0,61	0,67	0,75	0,83	0,98	1,14	1,29	1,45	1,60	1,76	1,91

notes:  
ENCD

DIN ISO 13920 Tolerances B

revisions-no.

04

mm/kg

date

name

drawn by

15.02.20

JMA

checked by

15.02.20

SWA

approved by

15.02.20

JWY

modified by

26.09.24

HSA

  
CHIMNEY SYSTEMS
description  
Straight pipe element 200mm with  
condensate outlet for horizontalcode  
FU111drawing-no.  
01-20-4170-000

scale

1:5

format

A4

sheet

1 of 1

