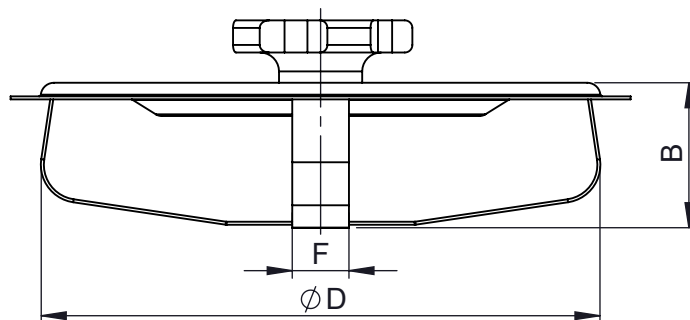
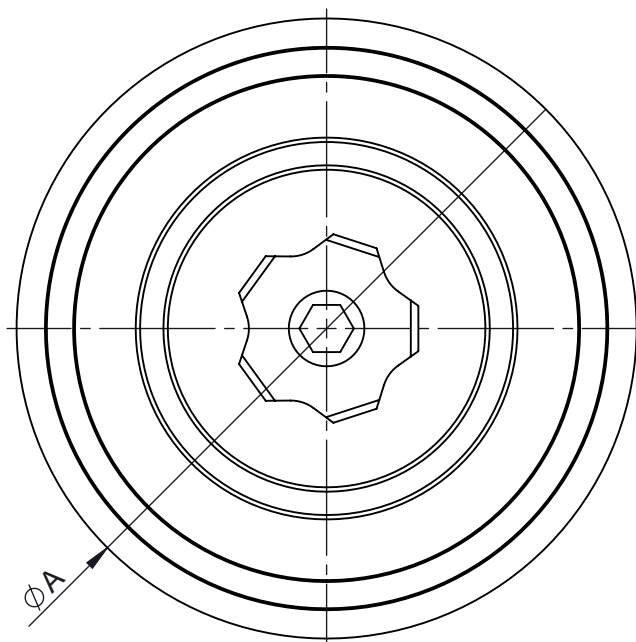


A



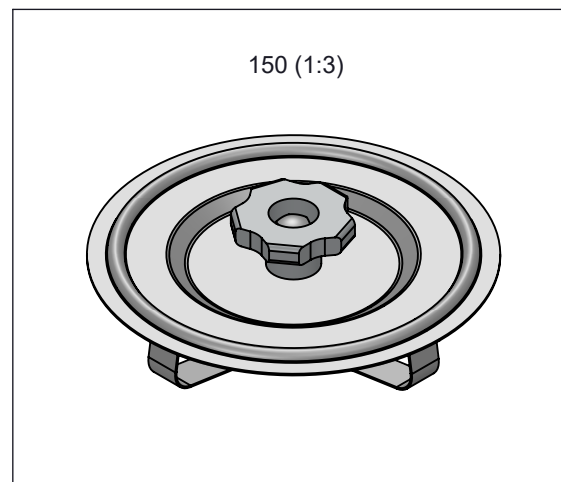
B

C



D

E



Ø	0060	0080	0100	0110	0115	0120	0130	0140	0150	0160	0180	0200	0250	0300
A	74	94	114	129		134	144	154	164	174	194	214	264	316
B	26	27	31	33		34	35	37	38	35				
D	58	78	98	108	113	118	128	138	148	158	178	198	248	291
F	15											20		

notes:

ENCD

DIN ISO 13920 Tolerances B

revisions-no.

12

mm / kg

date

20.06.23

name

PMA

drawn by

checked by

approved by

modified by

20.06.23

20.06.23

20.06.23

SWA

JWY

**Jeremias**<sup>®</sup>  
CHIMNEY SYSTEMS

description Simple cap without gasket

code FU50 Ø

drawing-no.

01-20-1905-000

scale

1:2

format

A4

sheet

1 of 1



F