

Note: The value of the length L [mm] is provided by the customer in the order as a value instead of the letter "L" in the code (FU 09 ...)

notes: ENCD	DIN ISO 13920 Tolerances B			<b>Jeremias</b> <sup>®</sup> CHIMNEY SYSTEMS	scale
	revisions-no.		mm / kg		1:3
	date	name	description Stainless steel chimney door 210 x 140 mm with insert, incl. door key		format
	drawn by	27.10.20 MWI			A4
	checked by	27.10.20 SWA			sheet
	approved by	27.10.20 JWY			1 of 2
modified by		code			
		drawing-no.			
			<b>FU 09 L</b>		
			<b>01-20-1806-000</b>		

A

For L &gt; 60

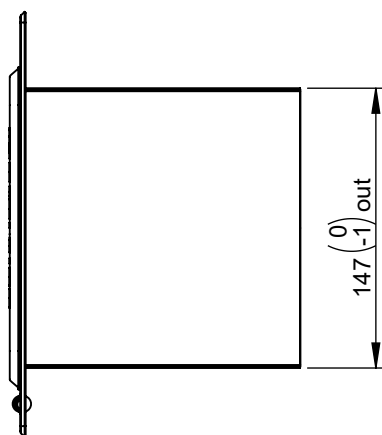
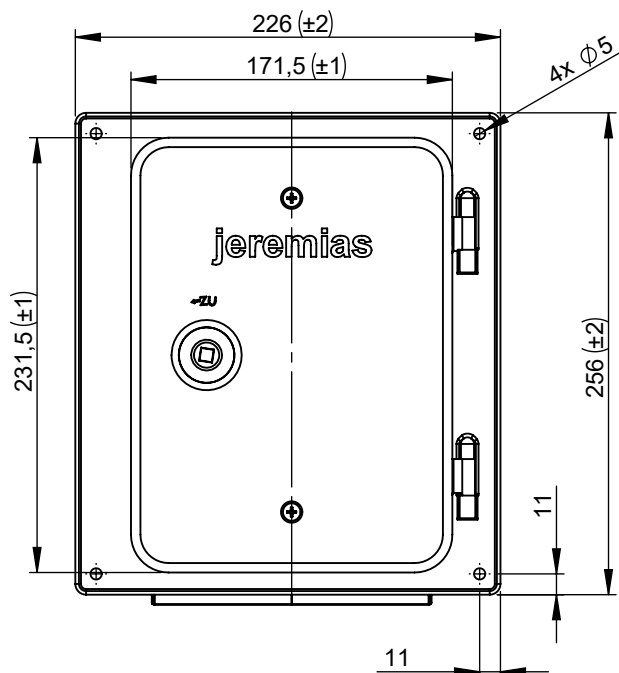
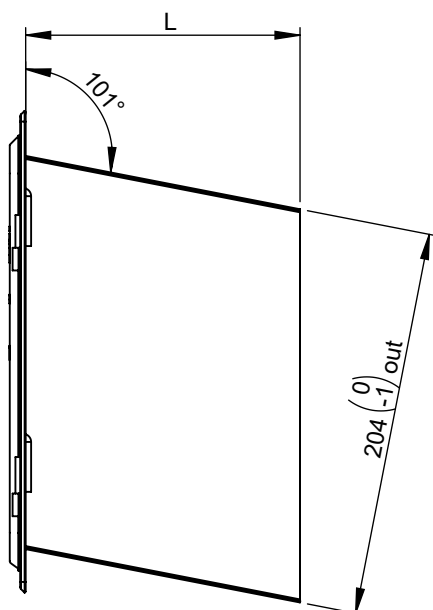
B

C

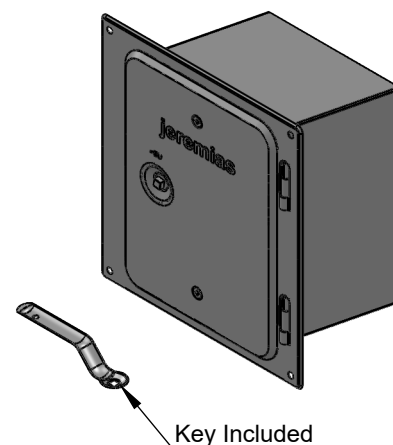
D

E

F



M 1:6 (L &gt; 60mm)



Note: The value of the length L [mm] is provided by the customer in the order as a value instead of the letter "L" in the code (FU 09 ...)

notes:

ENCD

DIN ISO 13920 Tolerances B

revisions-no.

mm / kg

**jeremias**<sup>®</sup>  
CHIMNEY SYSTEMS

scale

1:5

format

A4

sheet

2 of 2

description Stainless steel chimney door 210 x 140 mm with insert, incl. door key

code **FU 09 L**drawing-no. **01-20-1806-000**