

A

B

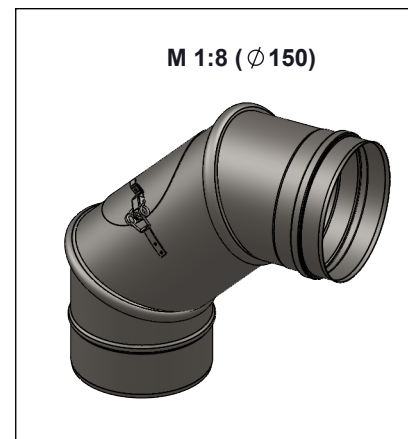
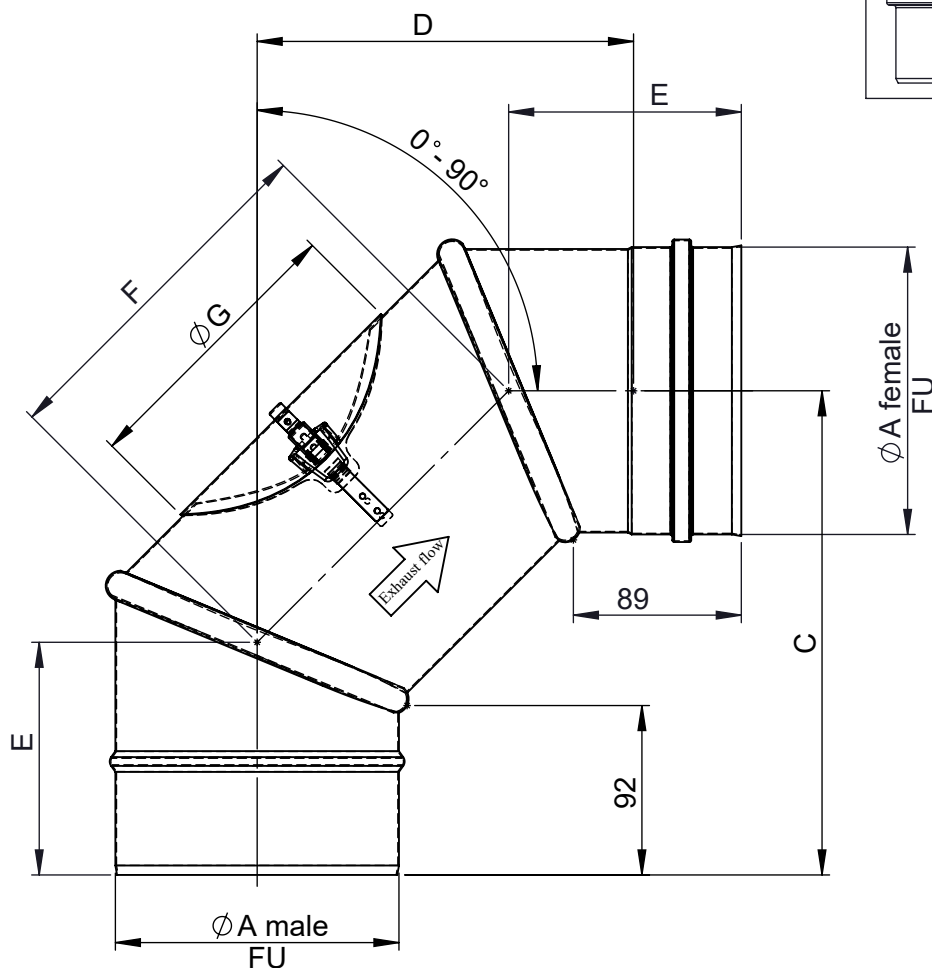
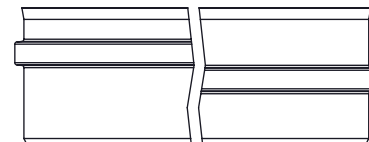
C

D

E

F

Possible type of female part "FU"



Ø	080	100	110	115	120	130	140	150	160	180	200	225	250	300
A	80	100	110	115	120	130	140	150	160	180	200	225	250	300
C	226	239	239	238	238	236	257	256	255	253	252	250	259	293
D	169	182	182	181	181	179	200	199	198	196	195	193	202	236
E	109	113	115	116	117	119	121	123	125	129	133	139	144	154
F	166	178	176	173	171	166	192	188	185	176	168	157	164	196
G	80	100					130							150
kg	0,57	0,74	0,81	0,84	0,88	0,95	1,08	1,16	1,23	1,38	1,53	1,72	1,97	2,6

notes:

ENCD

DIN ISO 13920 Tolerances B

revisions-no.

A

mm / kg

date name

drawn by 10.10.20 AKO

checked by 10.10.20 SWA

approved by 10.10.20 JWY

modified by

Jeremias[®]
CHIMNEY SYSTEMS

description: Adjustable inspection elbow 0-90° with clean-out diir

code: **FU102**

drawing-no.: **01-20-6600-000**

scale: 1:10

format: A4

sheet: 1 of 1