

1

2

3

4

A

B

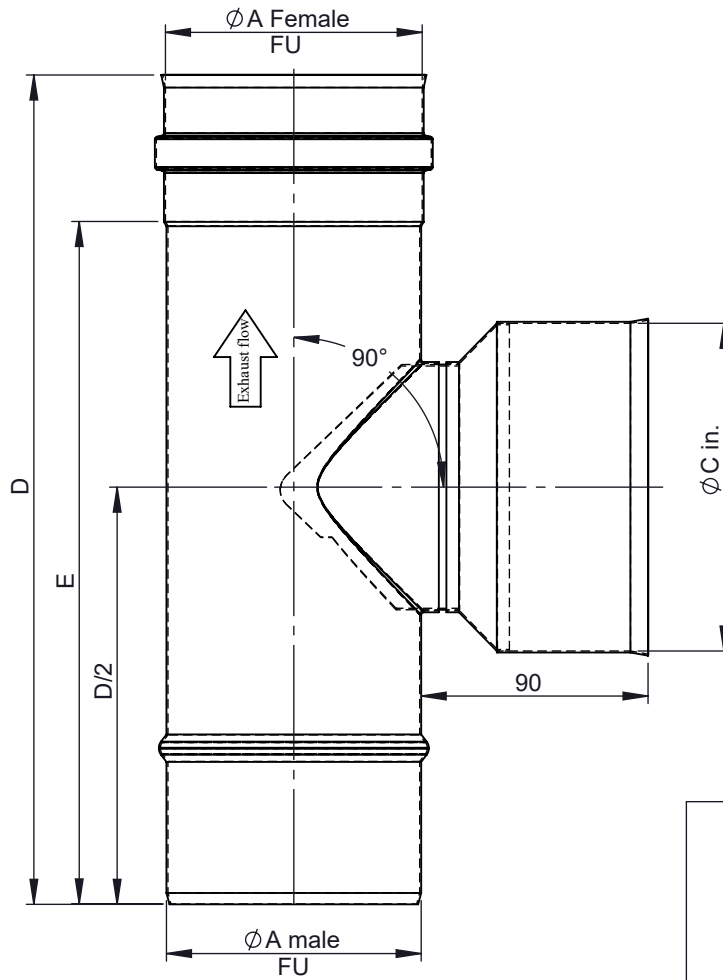
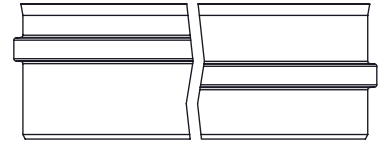
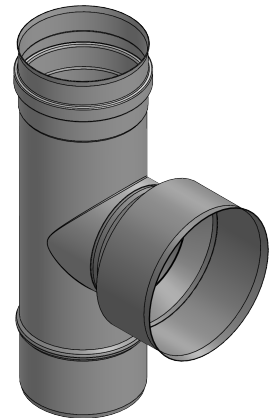
C

D

E

F

Possible type of female part "FU"

1:6 ($\phi 100130$)

ϕ	100130	100150
A	100	100
C	130	151,3
D	329	329
E	272	272
kg	0,7	0,8

notes:

DIN ISO 13920 Tolerances B

revisions-no.

03

mm / kg

Jeremias[®]
CHIMNEY SYSTEMS

scale

1:3

format

A4

sheet

1 of 2

description

Adaptor for draught regulator ZUK
Kutzner+Weber

code

FU 1681

drawing-no.

01-20-1764-000



1

2

3

4

A

B

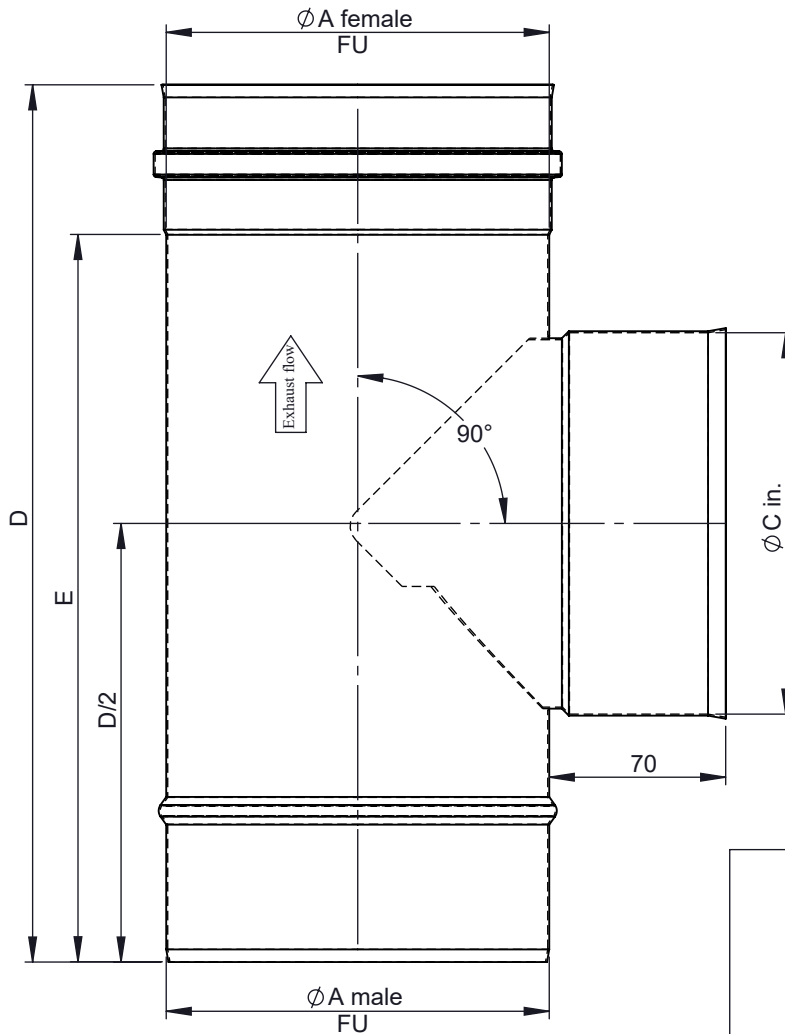
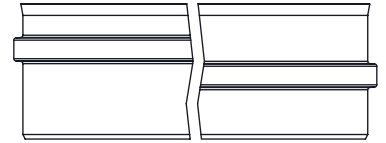
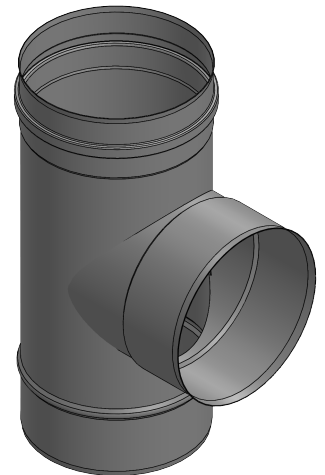
C

D

E

F

Possible type of female part "FU"

1:6 ($\varnothing 150$)

\varnothing	130	130150	140150	150	180150	200150	160180	180	200180	250180
A	130		140	150	180	200	160	180	200	250
C	130	151,3					180,1			
D	329						378			
E	272						321			
kg	0,8	0,9	0,9	1,0	1,1	1,1	1,1	1,2	1,3	1,6

notes:

DIN ISO 13920 Tolerances B

revisions-no.

03

mm / kg

date name

drawn by 13.12.21 MSA

checked by 13.12.21 SWA

approved by 13.12.21 JWY

modified by 24.08.23 PMA

 Jeremias[®]
 CHIMNEY SYSTEMS
description Adaptor for draught regulator ZUK
Kutzner+Weber

code FU 1681

drawing-no. 01-20-1764-000

scale

1:3

format

A4

sheet

2 of 2

