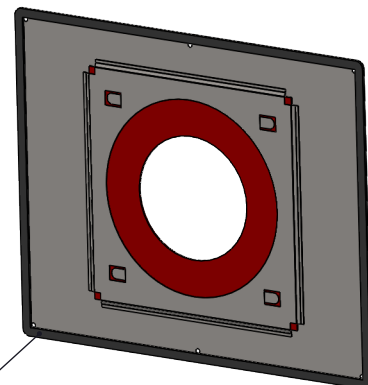


1:10 (150)



incl. gasket

ϕ	080	100	115	120	130	140	150	160	180	200	225	250	300
A	100	120	135	140	150	160	170	180	200	220	245	270	320
E	450						550					630	
F	400						450					550	
kg	1,5			1,4			2,0		1,9		1,8	2,6	

notes:

DIN ISO 13920 Tolerances B

revisions-no.

	date	name
drawn by	12.09.20	PWA
checked by	12.09.20	SWA
approved by	12.09.20	JWY
modified by		

Jeremias[®]
CHIMNEY SYSTEMS

description ceiling panel 1-20 ° with gasket

code DW1702

drawing-no. 02-20-5502-000

scale

1:5

format

A4

sheet

1 of 1

