

A

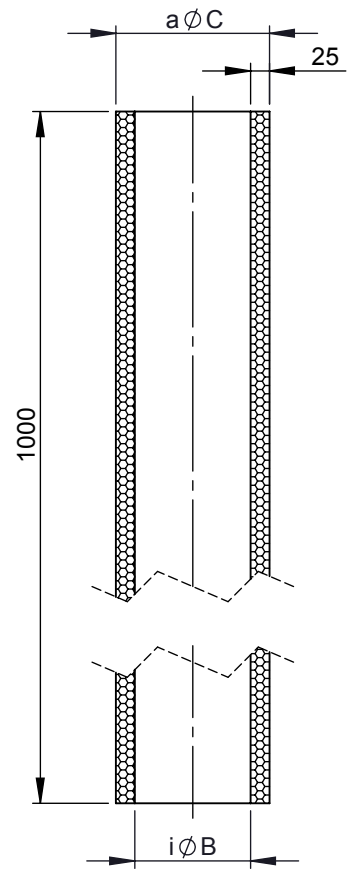
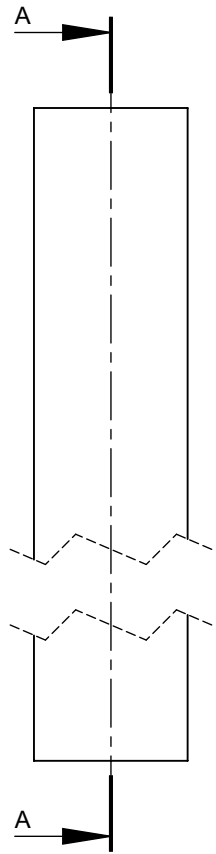
B

C

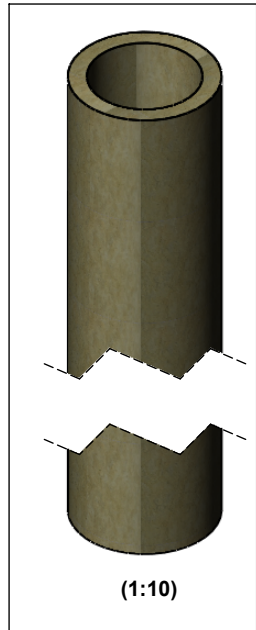
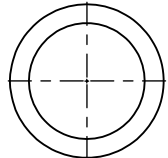
D

E

F



A-A



(1:10)

Ø	0080	0100	0115	0120	0130	0140	0150	0160	0180	0200	0225	0250	0300	0350	0400	0450
B	83	105	116	123	133	143	153	163	183	205	227	255	305	359	405	455
C	133	155	166	173	183	193	203	213	233	255	277	305	355	409	455	505
t	25															
kg	0,84	1,02	1,09	1,16	1,24	1,32	1,40	1,48	1,63	1,80	1,97	2,12	2,04	3,01	3,40	3,76

material: inside/outside		surface: inside/outside		revisions-no.				Scale	
Isover				A1				1:10	
				date		name		Format	
				drawn		27.07.2015		A4	
				checked				Sheet	
				checked				1	
				checked					
A1		31.07.2015		OSP		appr.		drawing-no.	
revision		date		name		All rights reserved!			

description FU 39-25 Isolierschale / Stärke 25mm

code **FU 39-25**