

A

B

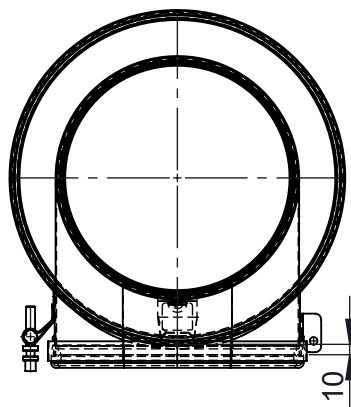
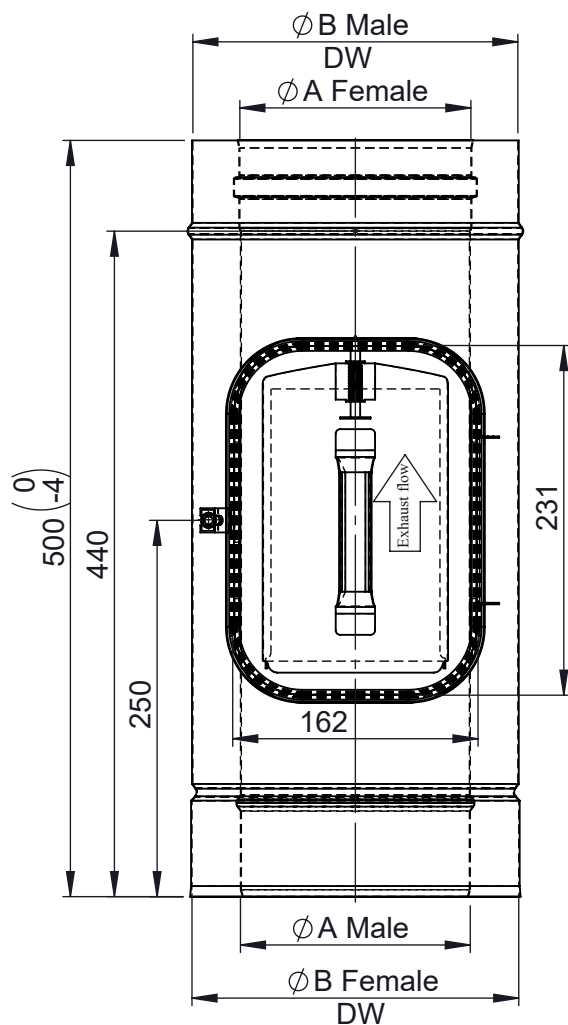
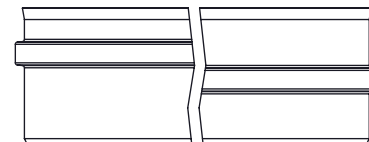
C

D

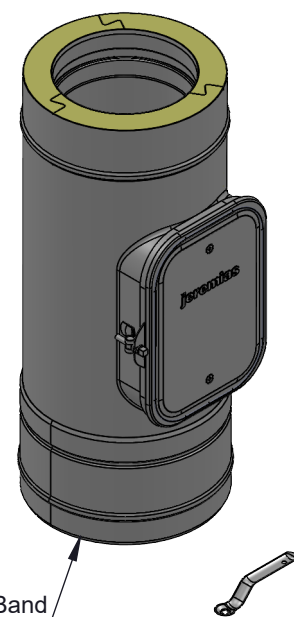
E

F

Possible type of female part "FU"



150 (1:5)



Incl. Locking Band

\varnothing	130	150	160	180	200
A	130	150	160	180	200
B	195	215	225	245	265
kg	3,48	3,95	4,14	4,51	4,9

notes:

ENCD

DIN ISO 13920 Tolerances B

revisions-no.

02

mm / kg

date

name

drawn by

10.10.23

PMA

checked by

10.10.23

JAD

approved by

10.10.23

JWY

modified by

18.09.24

KOS

description

Inspection length extruded (up to 600°C/N1), square door 210x140mm incl. locking band

code

DW2942

drawing-no.

02-20-1653-000

scale

1:5

format

A4

sheet

1 of 1

