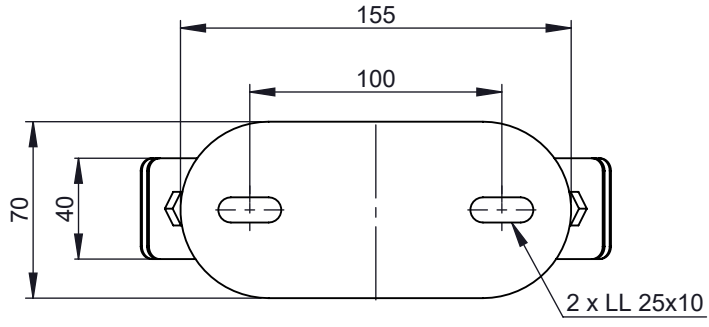
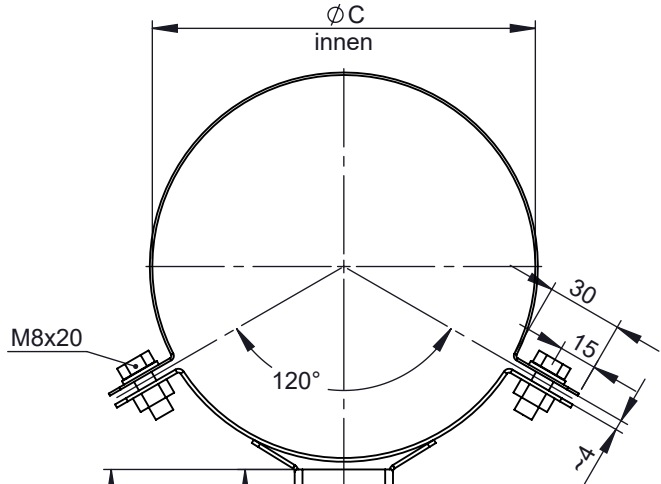


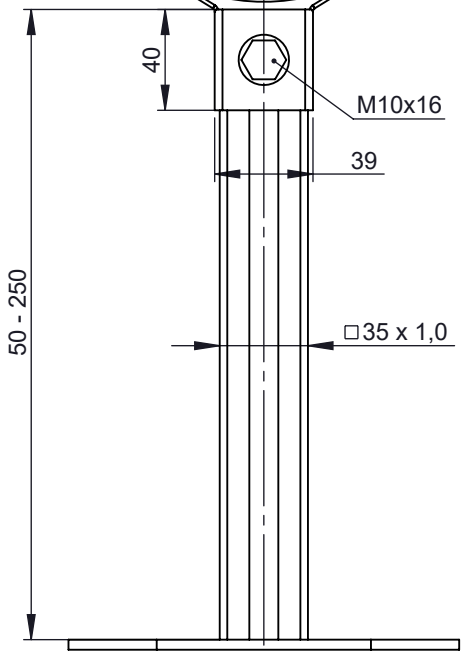
A



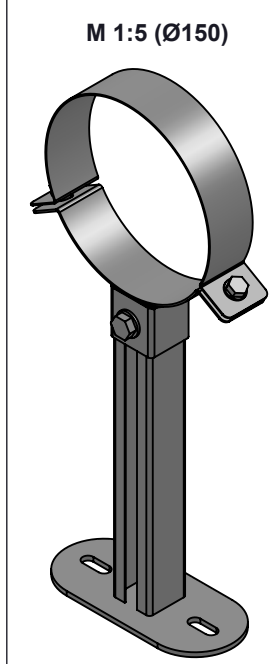
B



C





D



E

Ø	95	110	115	125	130	145	150	160	165	170	175	180	185	190	195	200	205	210	215	220	225
C	96	111	116	126	131	146	152	161	166	171	176	181	186	191	196	201	206	211	216	221	226
kg	0,8			0,9									1,0								
Ø	230	235	240	245	250	255	260	265	275	280	285	290	295	300	315	325	340	345	350	365	
C	231	236	241	246	251	256	261	266	276	284	286	291	296	301	316	326	341	346	351	366	
kg	1,0											1,1									

F

notes:	DIN ISO 13920 Tolerances B		 CHIMNEY SYSTEMS	scale		
	revisions-no.	A1		mm / kg	1:3	
	date	10.02.2022	name	KSA	format	A4
	drawn by		checked by		sheet	1 of 1
	approved by		code	2R2-ZUAC387		
	modified by		drawing-no.	01-07-04-0217-000		