

A

B

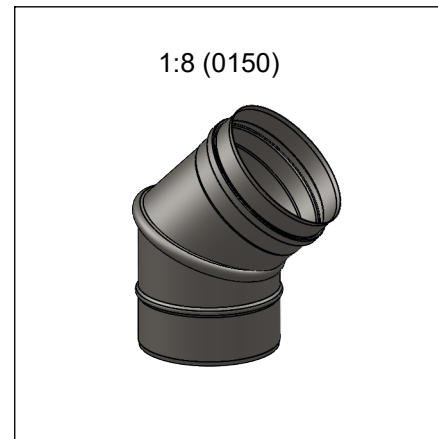
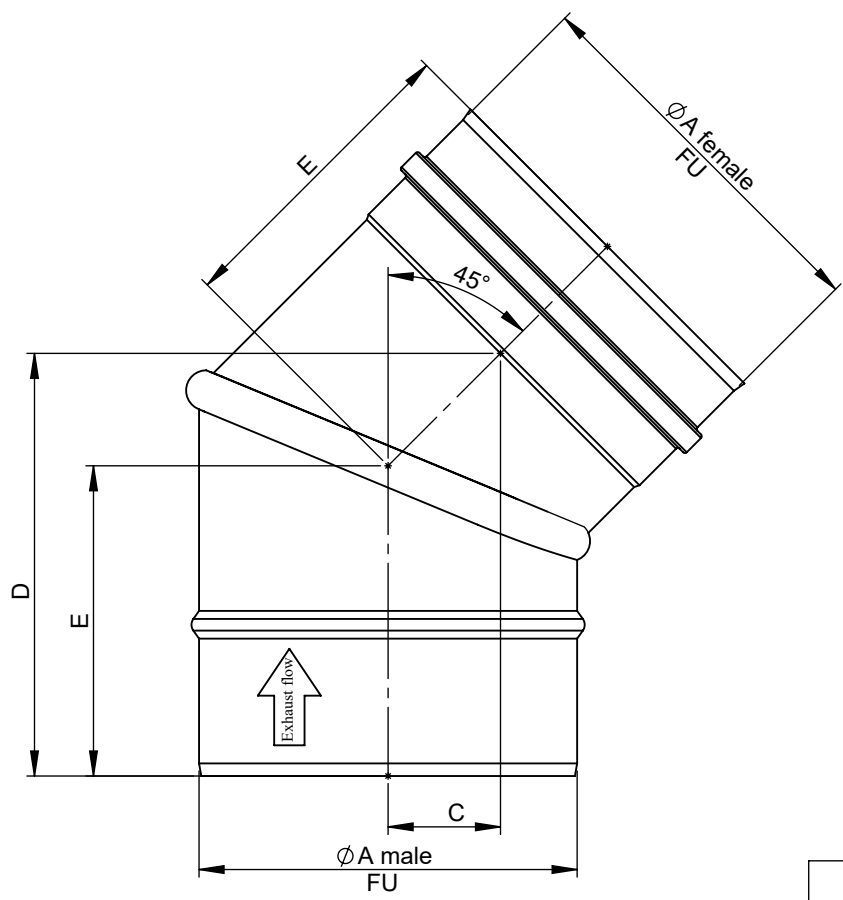
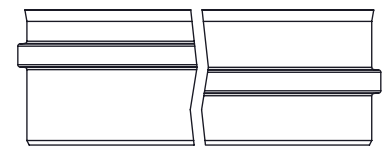
C

D

E

F

Possible type of female part "FU"



Ø	0100	0110	0115	0120	0130	0140	0150	0160	0180	0200	0225	0250	0300
A	100	110	115	120	130	140	150	160	180	200	225	250	300
C	39	41	42	42	44	45	47	48	51	54	58	61	69
D	152	157	157	159	163	166	170	173	180	187	196	205	223
E	113	115	116	117	119	121	123	125	129	133	139	144	254
kg	0,38	0,44	0,45	0,47	0,52	0,57	0,62	0,66	0,77	0,88	1,03	1,2	1,54

notes:
ENCD

DIN ISO 13920 Tolerances B	
revisions-no.	A
	mm / kg
date	name
drawn by	10.10.20 JMA
checked by	10.10.20 SWA
approved by	10.10.20 JWY
modified by	

Jeremias[®]
CHIMNEY SYSTEMS

description: Rotary elbow

code: **FU21**

drawing-no.: **01-20-6300-000**

scale: 1:1
format: A4
sheet: 1 of 2

A

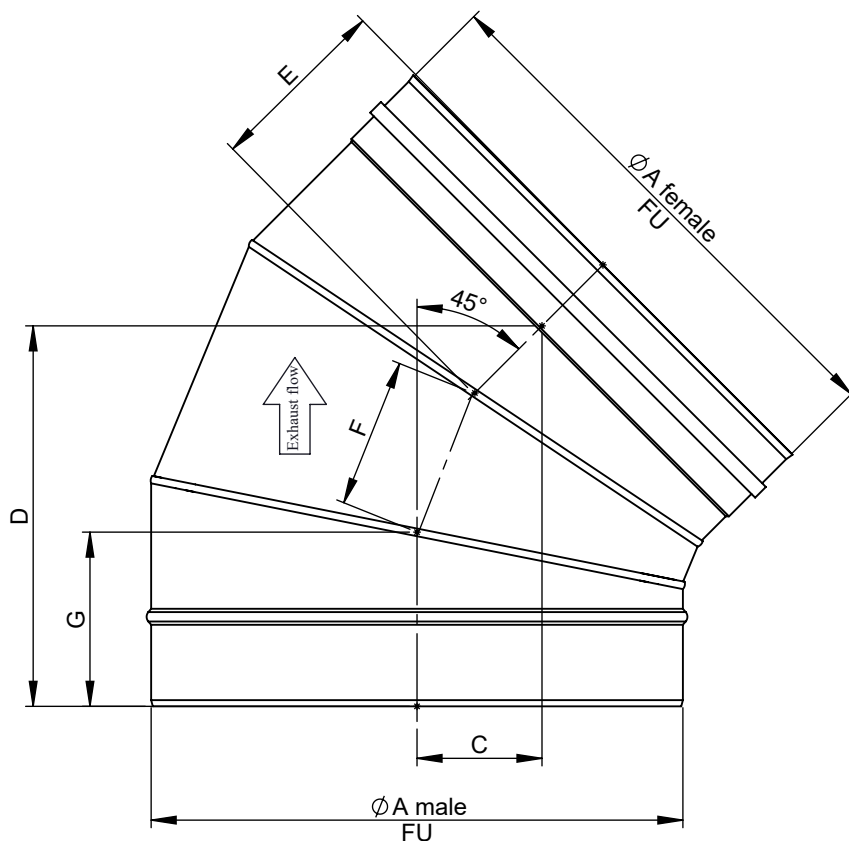
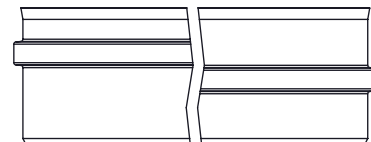
B

C

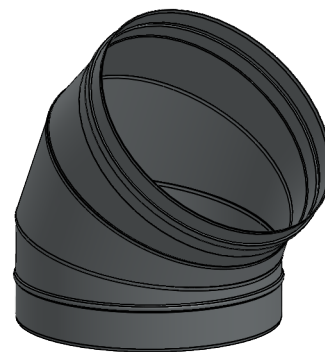
D

E

F

Possible type of female
part "FU"

1:10 (0350)



Ø	080	0350	0400
A	80	350	400
C	43	83	90
D	158	251	269
E	93	120	125
F	46	100	100
G	88	115	115
kg	0,3	2,5	3

notes:

ENCD

DIN ISO 13920 Tolerances B

revisions-no.

A

mm / kg

Jeremias®
 CHIMNEY SYSTEMS

scale

1:10

format

A4

sheet

2 of 2

description
Rotary elbowcode
FU21drawing-no.
01-20-6300-000