

A

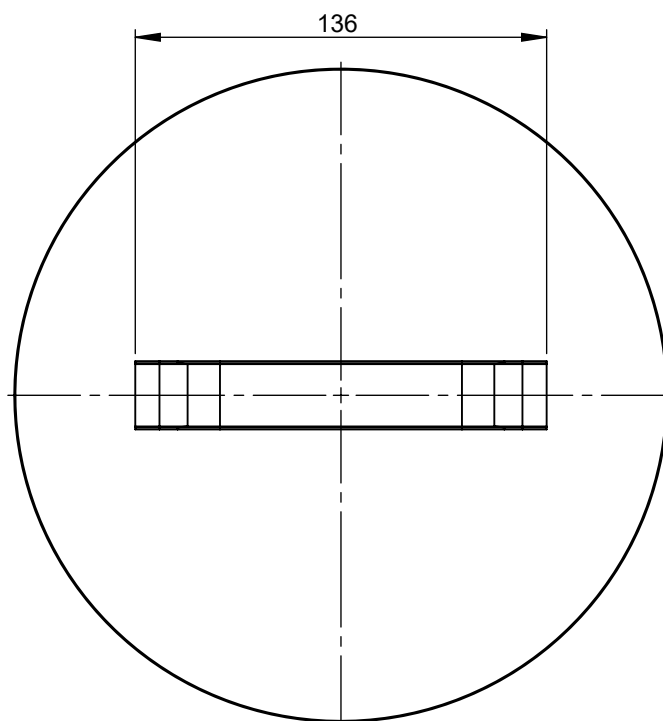
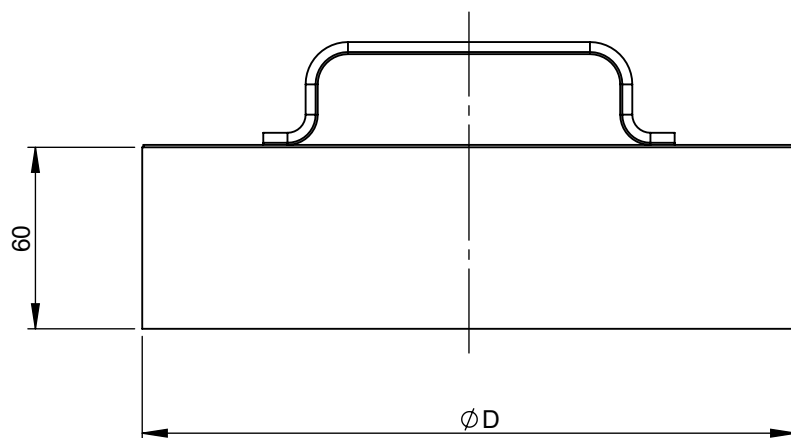
B

C

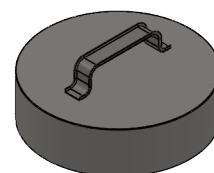
D

E

F



M 1:8 (Ø150)



Ø	80	100	0130	0150	0180	0200	0225	0250	0300	0350	0400	0450	0500	0550	0600
D	145	165	195	215	245	265	290	315	365	415	465	515	565	615	665
kg	0,30	0,36	0,45	0,52	0,62	0,70	0,80	0,90	1,14	1,42	1,70	2,01	2,33	2,66	3,07

notes:

ENCD

DIN ISO 13920 Tolerances B

revisions-no.

A

mm / kg

date

name

drawn by

19.09.20

MWI

checked by

19.09.20

SWA

approved by

19.09.20

JWY

modified by

description  
Cap with handlecode  
DW43 Ødrawing-no.  
01-02-1943-000

scale

1:4

format

A4

sheet

1 of 1

