

A

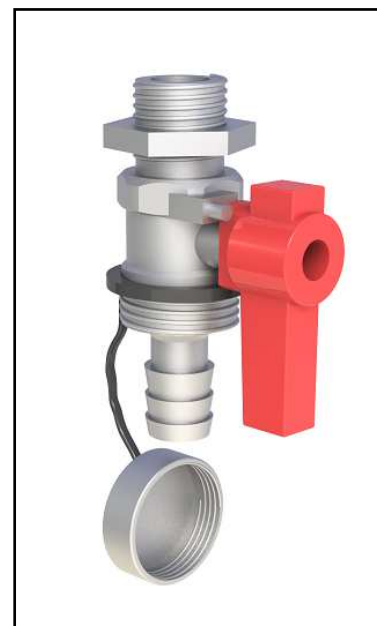
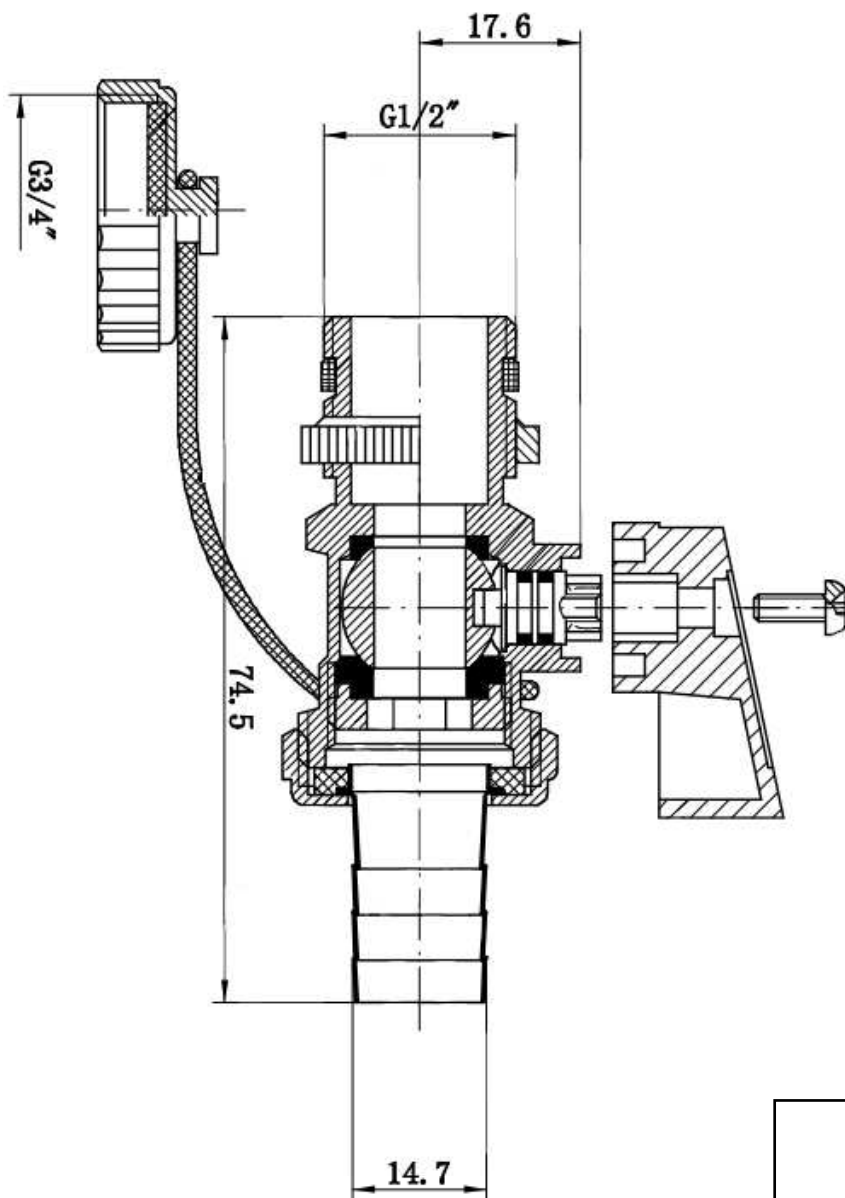
B

C

D

E

F



notes:

DIN ISO 13920 Tolerances B

revisions-no.

A1

mm / kg

Jeremias[®]
CHIMNEY SYSTEMS

scale

1:10

format

A4

sheet

1 of 1

description

**Absperrhahn
1/2" Außengewinde**

code

FU47

drawing-no.

