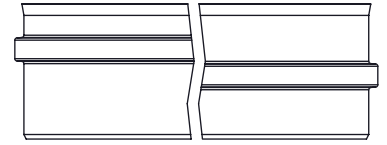
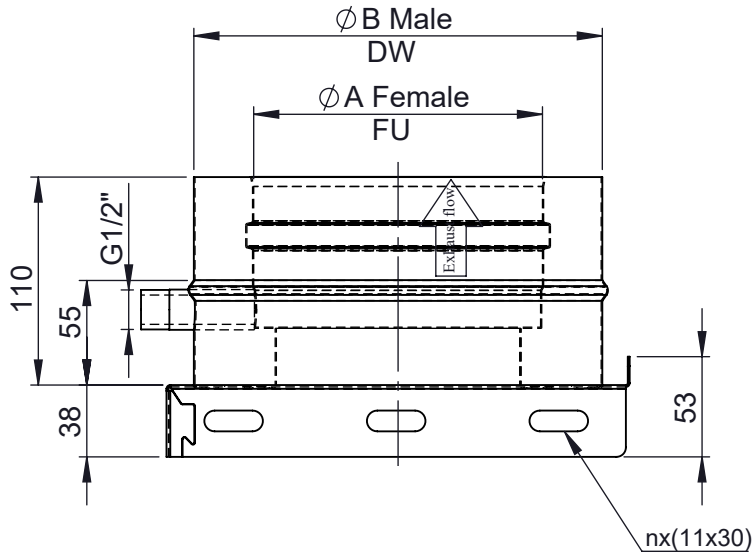


A

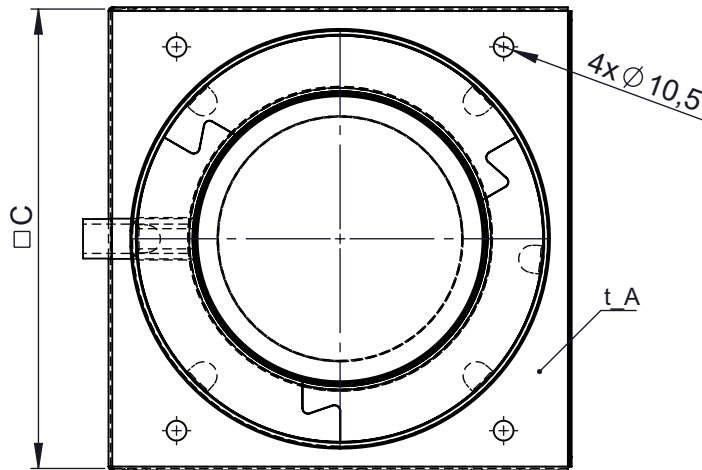
Possible type of female part "FU"



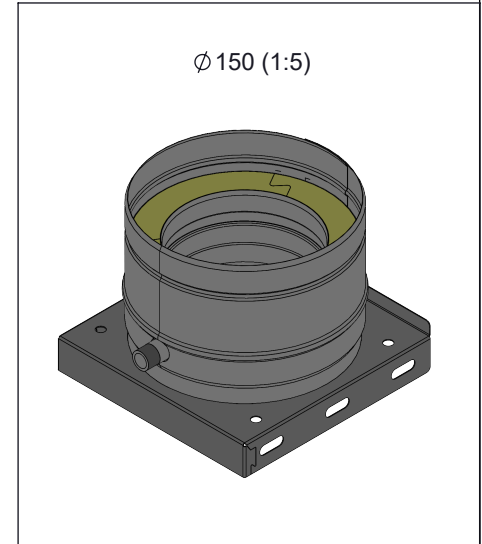
B



C



D



E

\varnothing	80	100	110	115	120	125	130	140	150	160	180	200	225	250	300	350	400	450	500	550	600
A	80	100	110	115	120	125	130	140	150	160	180	200	225	250	300	350	400	450	500	550	600
B	145	165	175	180	185	190	195	205	215	225	245	265	290	315	365	415	465	515	565	615	665
$\square C$	215					220	225	235	245	255	275	295	320	345	395	445	495	545	595	645	695
t A	1											1,5			2						
n	6											8				10					
kg	1,2	1,32	1,38	1,42	1,45	1,5	1,56	1,67	1,77	1,9	2,15	2,41	3,27	3,7	4,62	6,56	7,87	9,29	10,82	12,46	14,21

notes:

ENCD

DIN ISO 13920 Tolerances B

revisions-no.

mm / kg

Jeremias[®]
CHIMNEY SYSTEMS

scale

1:5

format

A4

sheet

1 of 1

F

description

Base plate with lateral condensate outlet

date

20.08.24

name

PMA

checked by

20.08.24

JAD

approved by

20.08.24

BBR

modified by

code

DW06 \varnothing

drawing-no.

02-20-1057-000

