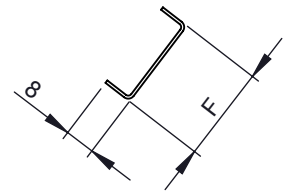
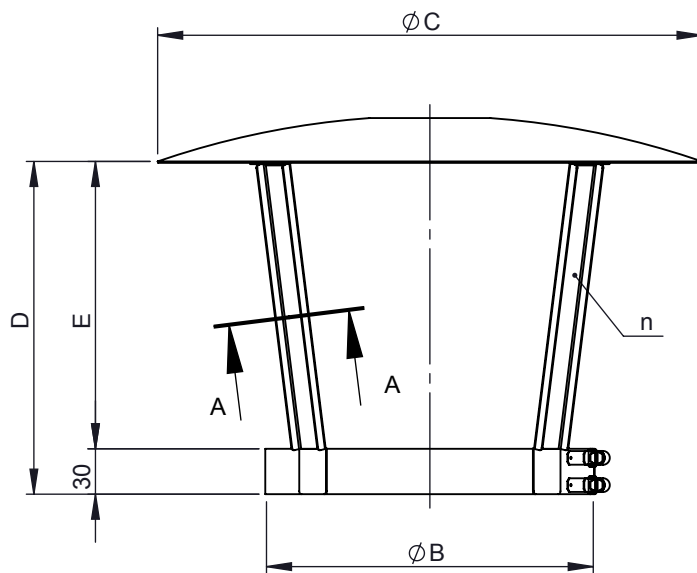
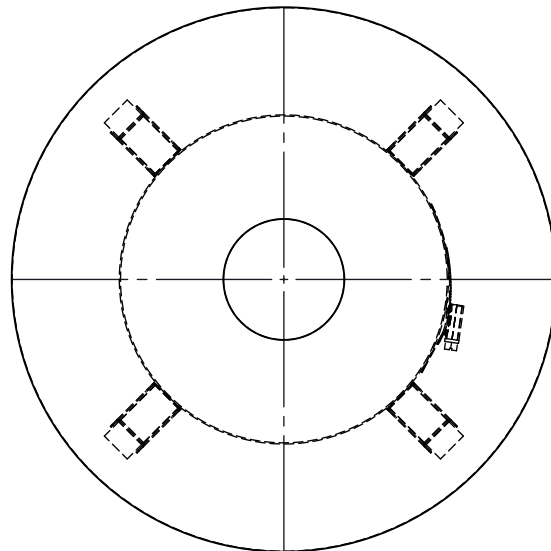


A

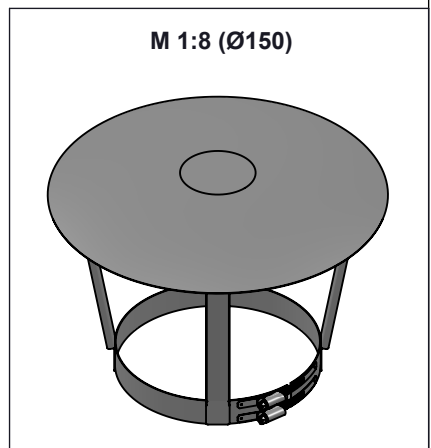


A-A (1 : 2)

C



D



E

Ø	80	100	110	115	120	130	140	150	160	180	200
B	145	165	175	180	185	195	205	215	225	245	265
C	280	300				330		360		410	450
D	175				215		220		240	250	
E	145				185		190		210	220	
F	25										35
n	4										
kg	0,8	0,9	0,9	0,9	0,9	1,1	1,1	1,2	1,2	1,5	1,8

F

notes:

DIN ISO 13920 Tolerances B

revisions-no.

A1

mm / kg

date

13.07.2018

name

FBA

checked by

approved by

modified by

**Jeremias**<sup>®</sup>  
CHIMNEY SYSTEMS

description  
Regenhaubecode  
DW33drawing-no.  
01-02-20-5100-000

scale

1:5

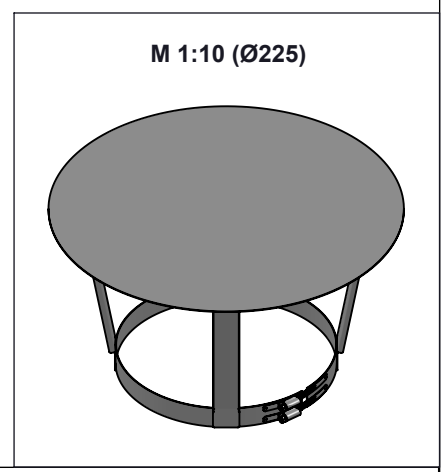
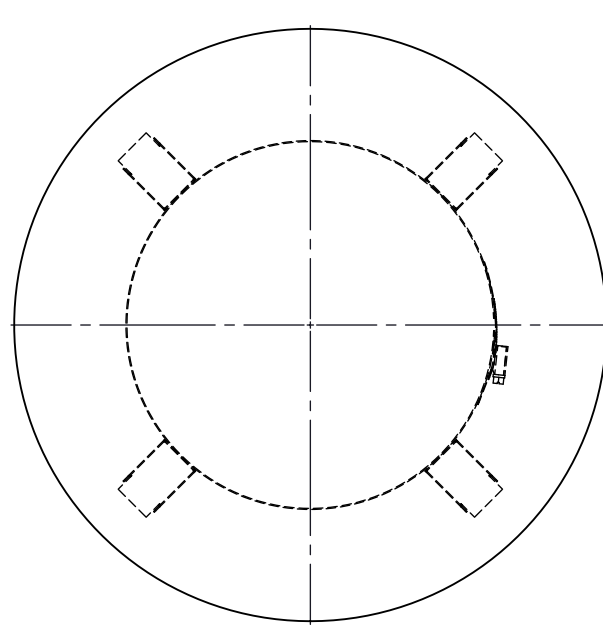
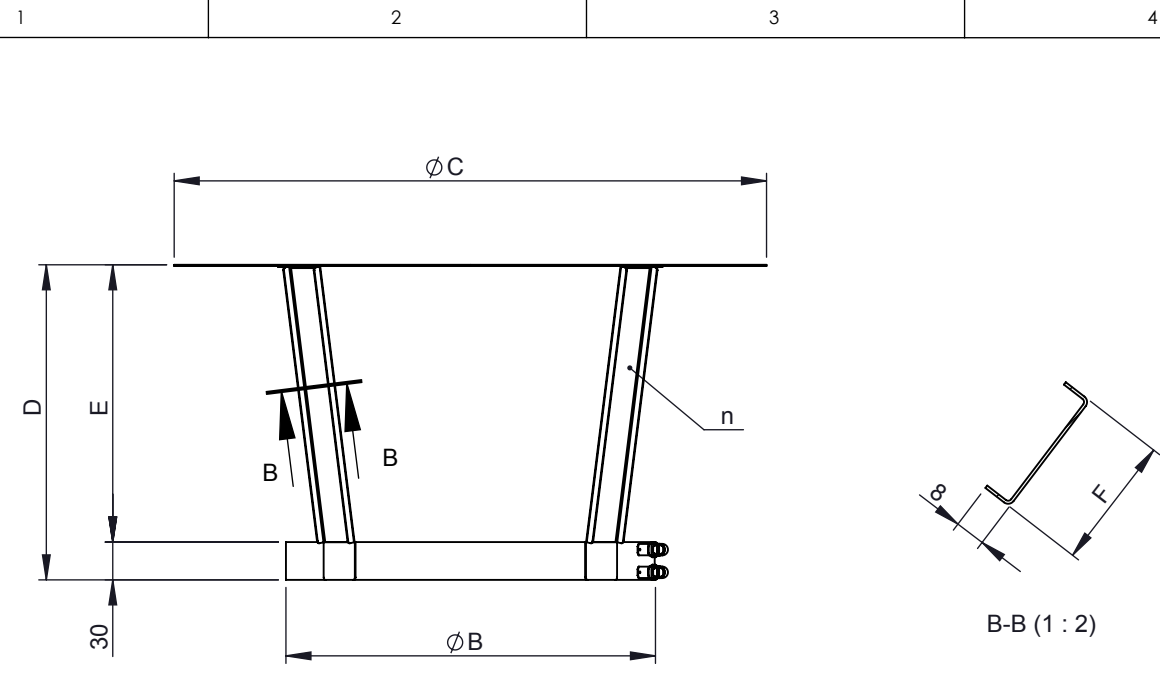
format

A4

sheet

1 of 1

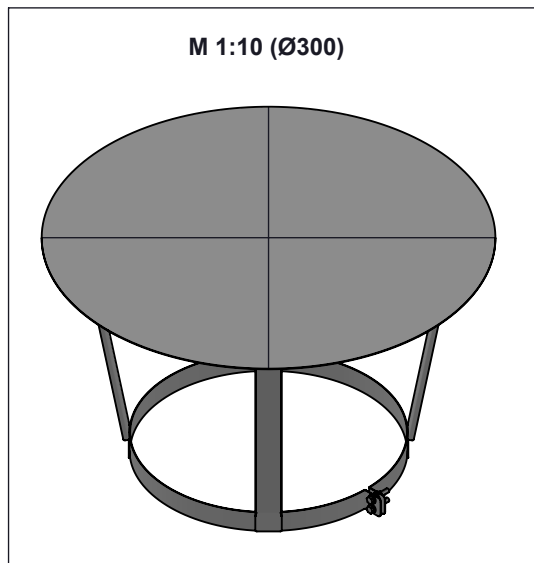
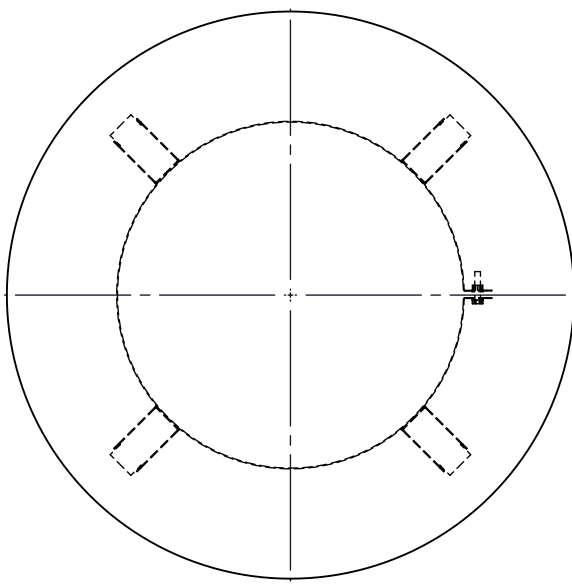
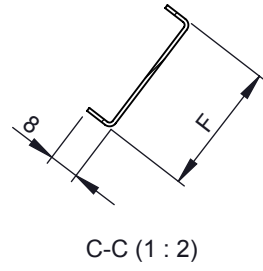
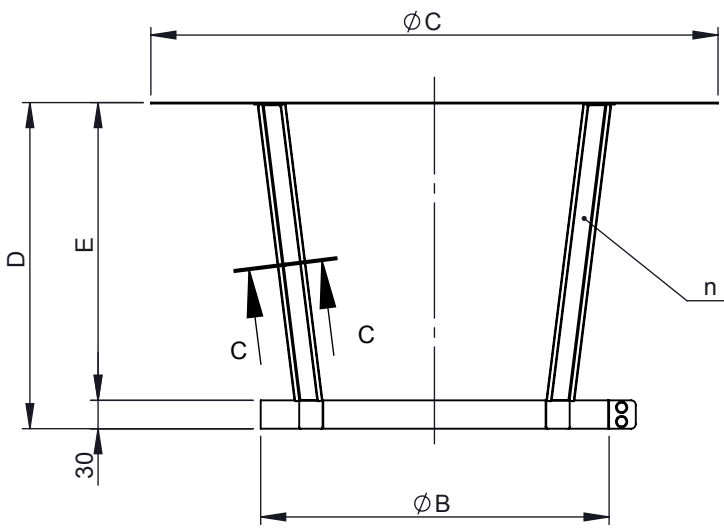




<b>Ø</b>	<b>225</b>	<b>250</b>
<b>B</b>	290	315
<b>C</b>	470	510
<b>D</b>	250	300
<b>E</b>	220	270
<b>F</b>		35
<b>n</b>		4
<b>kg</b>	1,9	2,2

notes:	DIN ISO 13920 Tolerances B			 <b>Jeremias</b> <sup>®</sup> CHIMNEY SYSTEMS	scale	
	revisions-no. A1		mm / kg		1:6	
	date	name	description Regenhaube		format	
	drawn by	13.07.2018			FBA	A4
	checked by					sheet
	approved by					1 of 1
modified by			code			
			DW33	drawing-no.		
			01-02-20-5100-000			

© Jeremias GmbH. All rights reserved, also regarding any disposal, exploitation, editing, distribution, as well as in the event of applications for industrial property rights.



<b>Ø</b>	<b>300</b>	<b>350</b>	<b>400</b>	<b>450</b>	<b>500</b>	<b>550</b>	<b>600</b>
<b>B</b>	365	415	465	515	565	615	665
<b>C</b>	600	650	700	760	810	950	
<b>D</b>	345	345	410	430	430	460	470
<b>E</b>	315	315	380	400	400	430	440
<b>F</b>	35						
<b>n</b>	4	5		6		8	
<b>kg</b>	3	3,6	4,6	4,9	5,8	7,4	7,5

notes:

DIN ISO 13920 Tolerances B		
revisions-no.	A1	
	mm / kg	
date	13.07.2018	name
drawn by	FBA	
checked by		
approved by		
modified by		

**Jeremias**<sup>®</sup>  
CHIMNEY SYSTEMS

description: **Regenhaube**

code: **DW33**

drawing-no.: **01-02-20-5100-000**

scale	1:8
format	A4
sheet	1 of 1