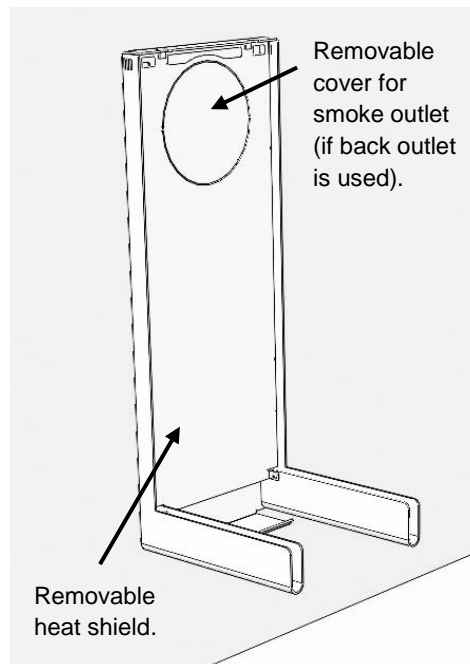
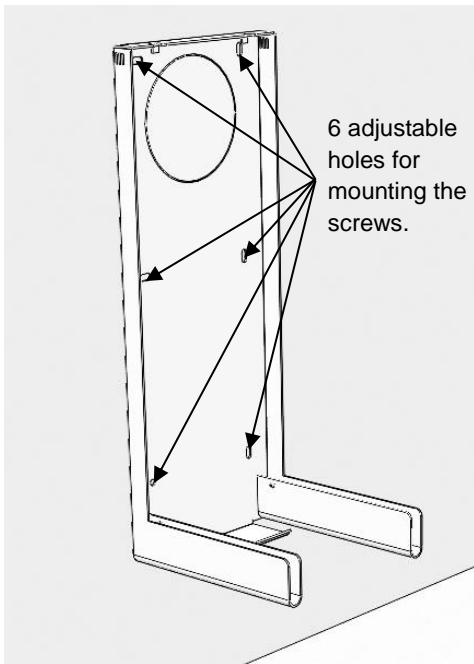
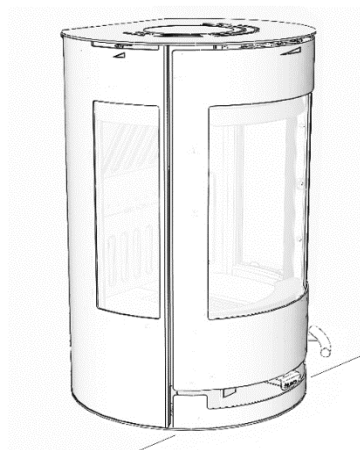
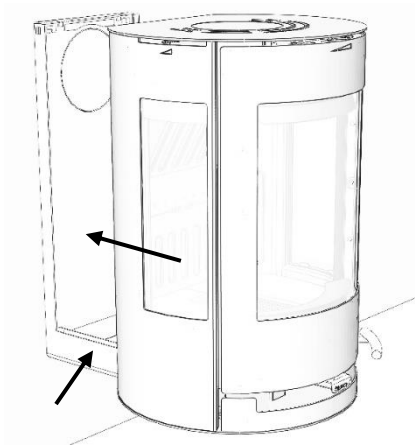


Aduro 9.4 wall mounting

1. The wall bracket:



2. Place the stove on the lower rails of the bracket and push the stove in place:



3. Secure the stove in the "lock" position at the top and with the screw under the bottom:

