

A

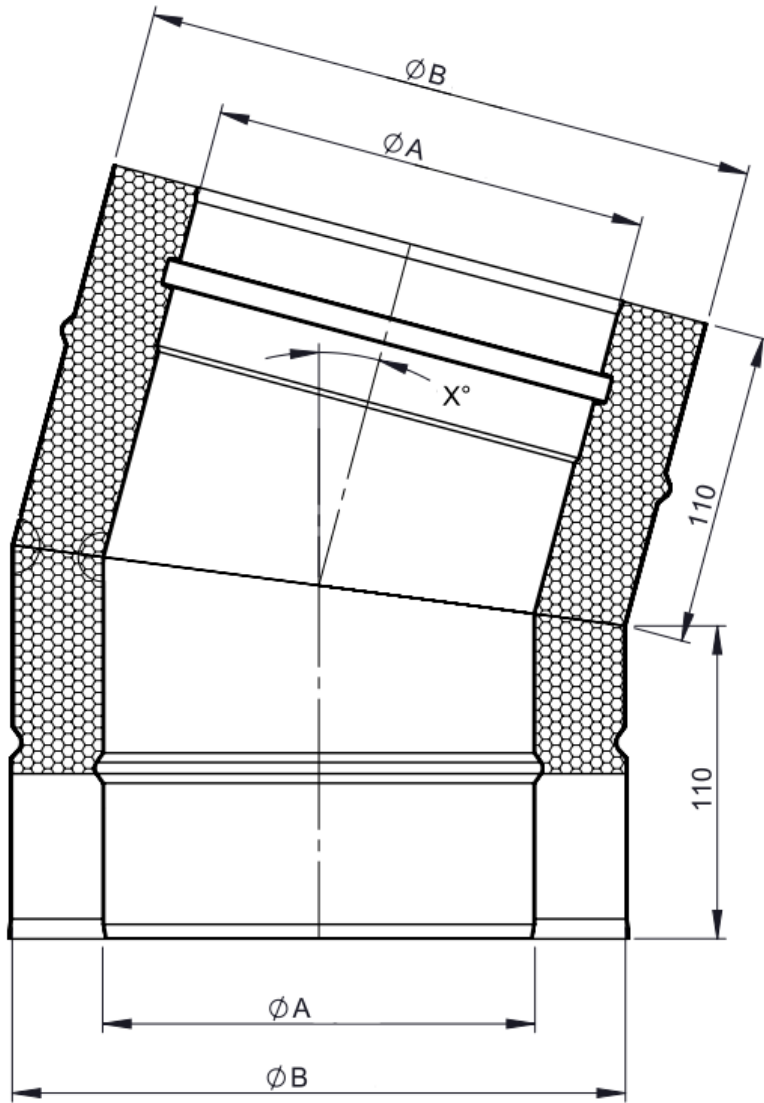
B

C

D

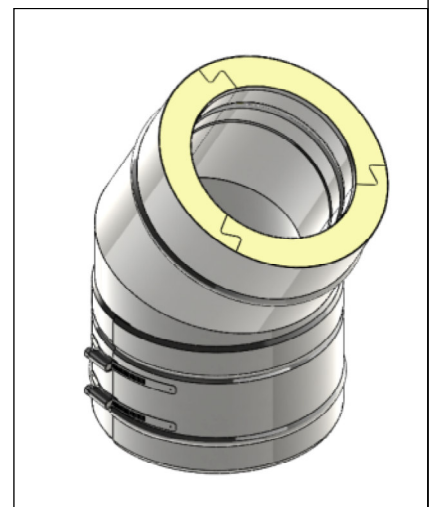
E

F



Durchmesser $\varnothing A$: _____

Gradzahl X° (1-44°) : _____



notes:

DIN ISO 13920 Tolerances B

revisions-no.

A1

mm / kg

date

24.01.2022

name

USC

drawn by

checked by

approved by

modified by

Jeremias[®]
CHIMNEY SYSTEMS

description

**Winkel 1-44°
aus 2 Segmenten**

code

DW 2801

drawing-no.

scale

1:10

format

A4

sheet

1 of 1

