

A

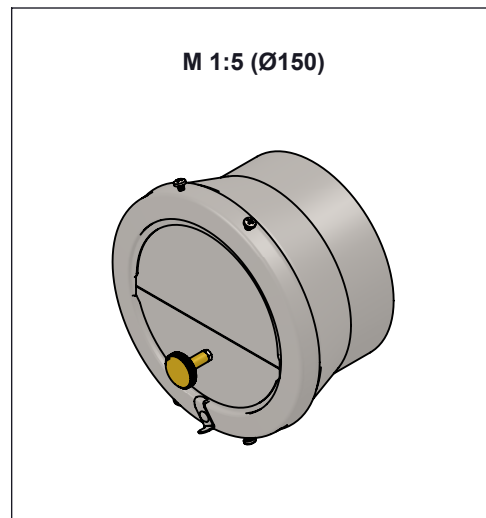
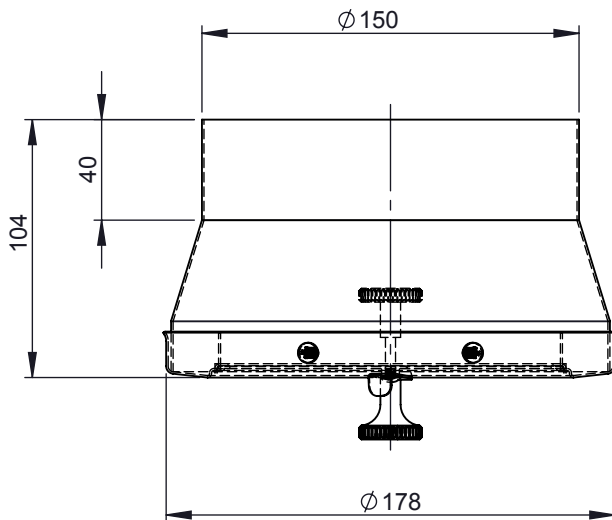
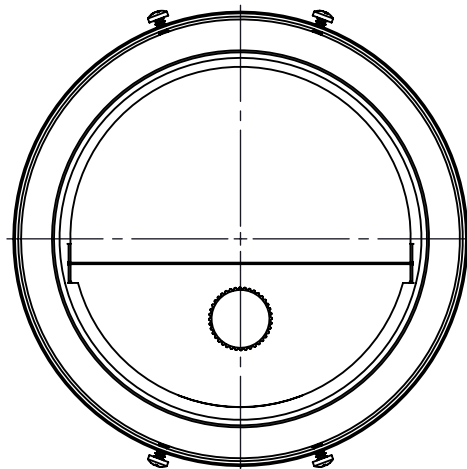
B

C

D

E

F



notes:

DIN ISO 13920 Tolerances B

revisions-no.

A1

mm / kg

**Jeremias**<sup>®</sup>  
CHIMNEY SYSTEMS

scale

1:3

format

A4

sheet

1 of 1

description Zugregler rund verzinkt Ø150mm

code **FU38**

drawing-no. **01-20-1750-000**

