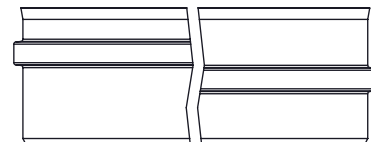
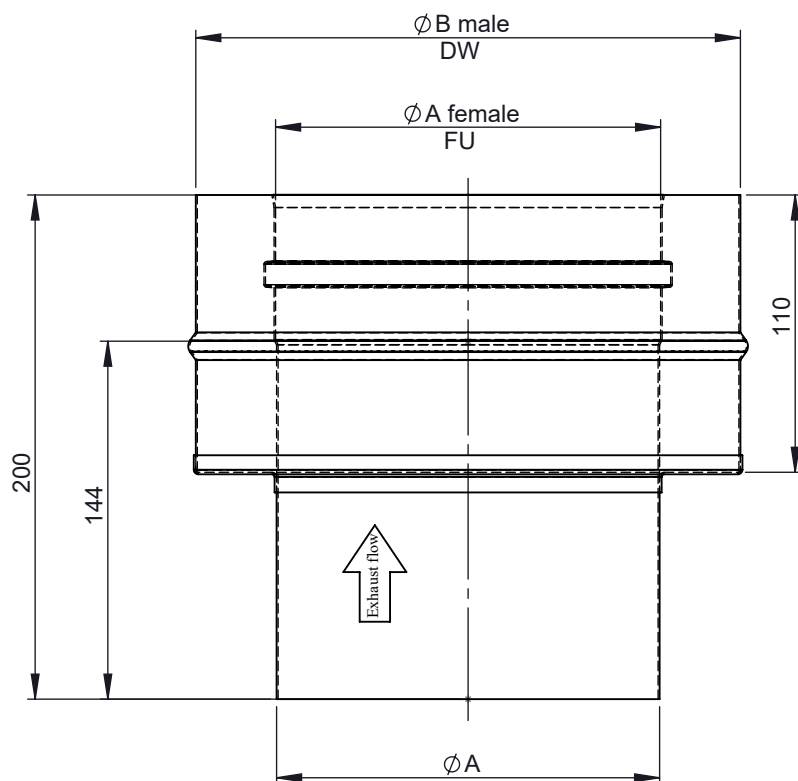


A

Possible type of female part "FU"



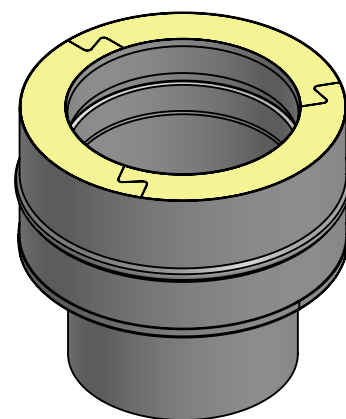
B



C

D

E

M 1:5 ($\varnothing 150$)

\varnothing	080	100	110	115	120	130	140	150	160	180	200	225	250	300	350	400	450	500	550	600	650
A	80	100	110	115	120	130	140	150	160	180	200	225	250	300	350	400	450	500	550	600	650
B	145	165	175	180	185	195	205	215	225	245	265	290	315	365	415	465	515	565	615	665	715
kg	0,75	0,89	0,96	1,0	1,03	1,1	1,17	1,24	1,31	1,45	1,59	1,76	1,94	2,29	2,64	2,99	3,34	3,69	4,04	4,39	4,74

notes:

ENCD

DIN ISO 13920 Tolerances B

revisions-no.

	date	name
drawn by	19.09.20	PWA
checked by	19.09.20	SWA
approved by	19.09.20	JWY
modified by		

Jeremias[®]
CHIMNEY SYSTEMS

description Adaptor ew - dw

code DW37

drawing-no. 01-02-20-3001-000

scale

1:3

format

A4

sheet

1 of 1



F