

1

2

3

4

A

B

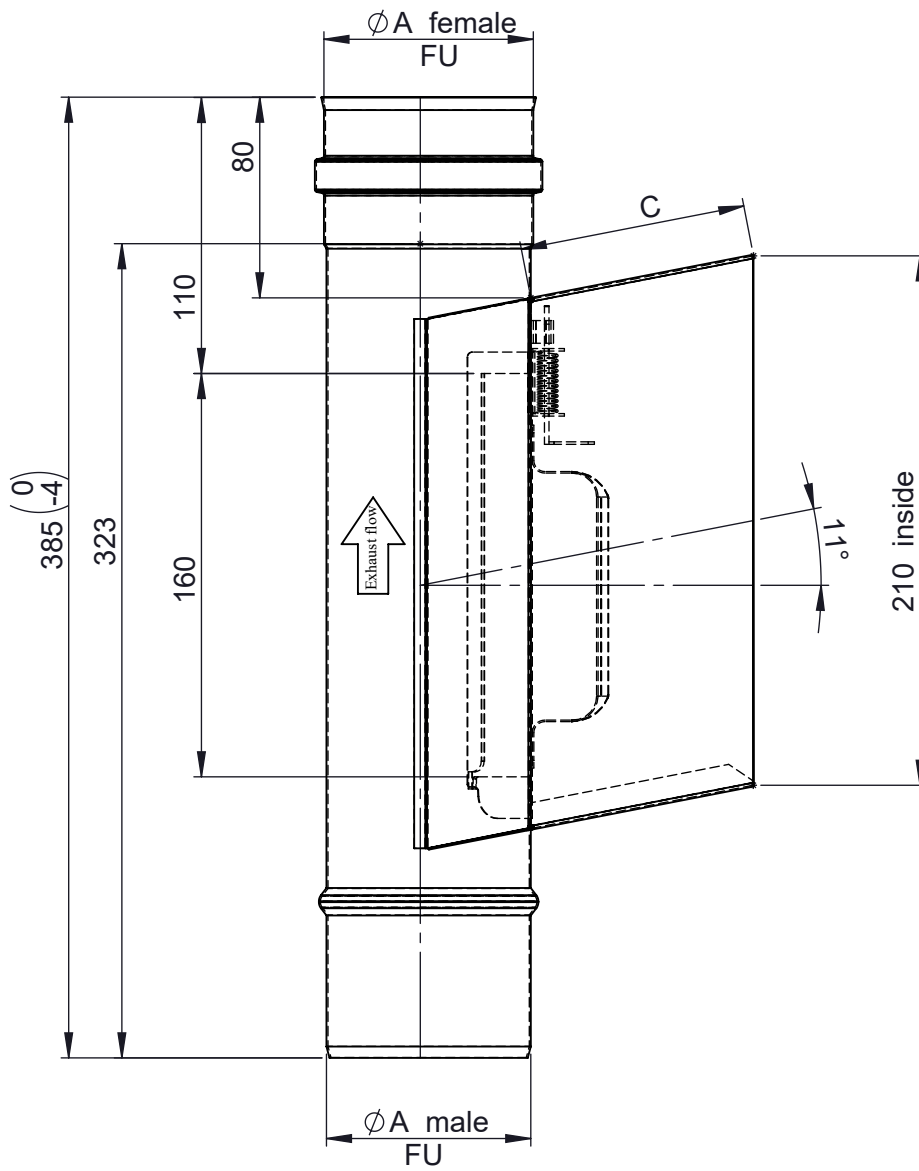
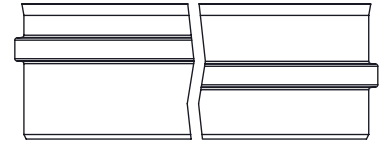
C

D

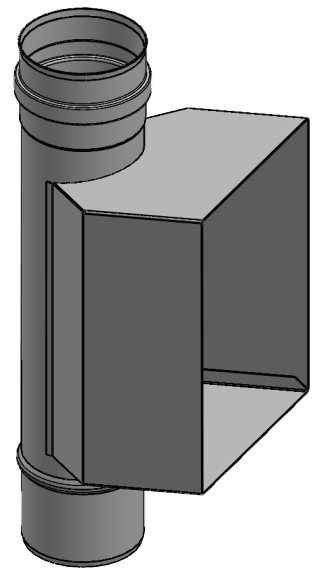
E

F

Possible type of female part "FU"



M1:5 (Ø080)



Ø	060	080	090	100-120	125	130-140	150-600
A	60	80	90	sheet 2/3	125	sheet 2/3	sheet 3/3
C	90				90		
D	80	80	100		125		
kg	0,8	0,9	1,0		1,2		

notes:

DIN ISO 13920 Tolerances B

revisions-no.

03

mm / kg

Jeremias[®]
CHIMNEY SYSTEMS

scale

1:3

format

A4

sheet

1 of 3

description

Inspection length (up to 600°C/N1), square door with box 210x140mm

code

FU 07K

drawing-no.

01-020-1510-000



A

B

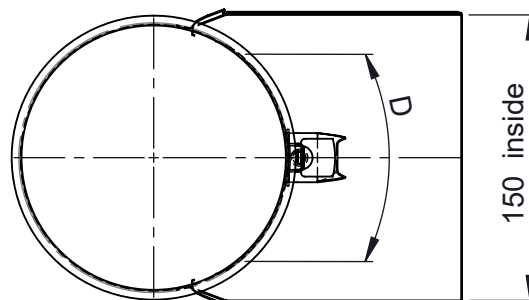
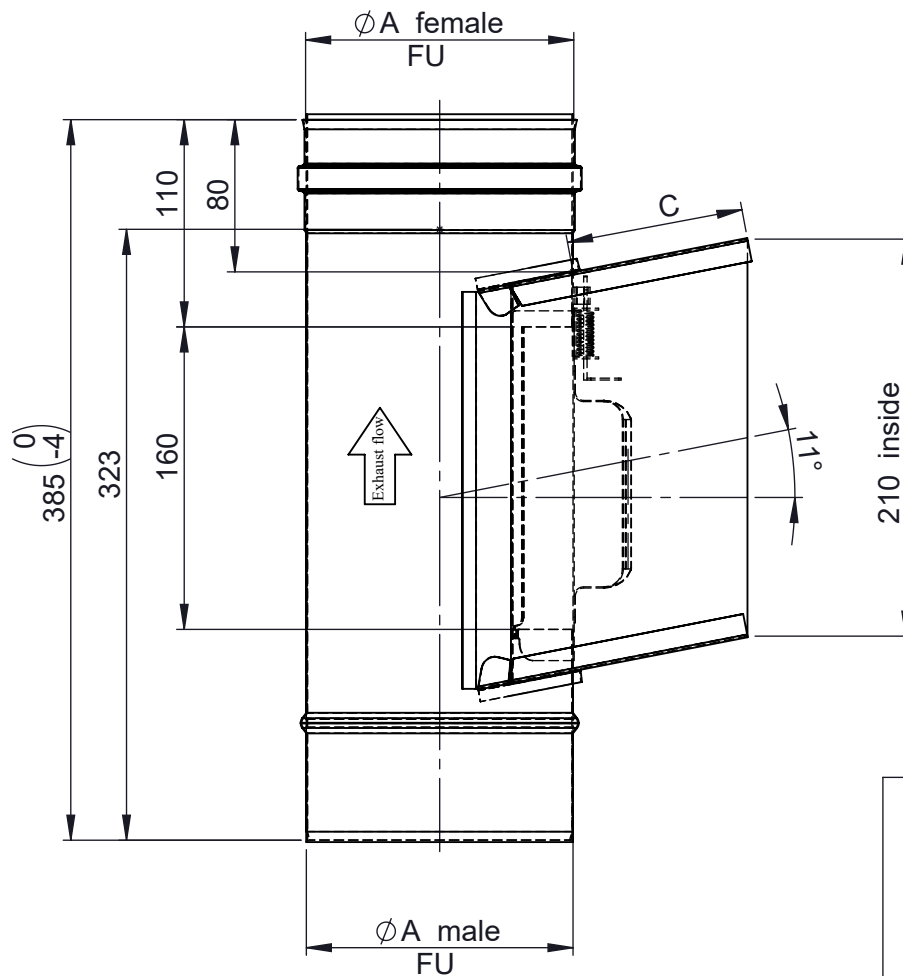
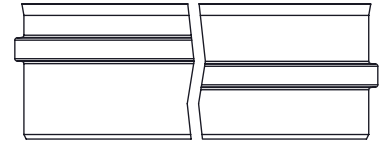
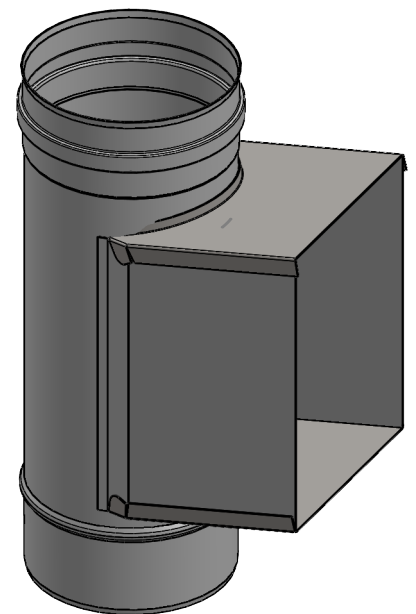
C

D

E

F

Possible type of female part "FU"

M1:5 ($\varnothing 140$)

\varnothing	060-090	100	110	115	120	125	130	140	150-600
A	sheet 1/3	100	110	115	120	sheet 1/3	130	140	sheet 3/3
C		100	93	94	87		110	94	
D		100	100	100	100		125	125	
kg		1,2	1,2	1,3	1,3		1,3	1,4	

notes:

DIN ISO 13920 Tolerances B

revisions-no.

03

mm / kg

Jeremias[®]
CHIMNEY SYSTEMS

scale

1:4

format

A4

sheet

2 of 3

	date	name
drawn by	29.11.22	AKO
checked by	29.11.22	JAD
approved by	29.11.22	JWY
modified by		

description
Inspection length (up to
600°C/N1), square door with box
210x140mm

code
FU 07Kdrawing-no.
01-020-1510-000

A

B

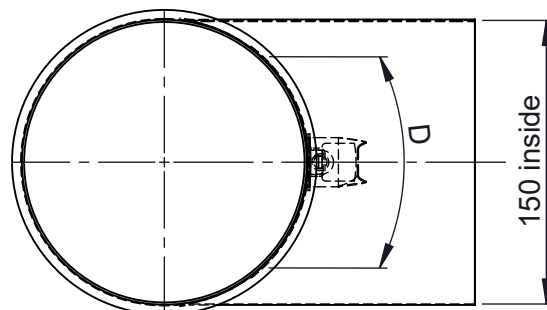
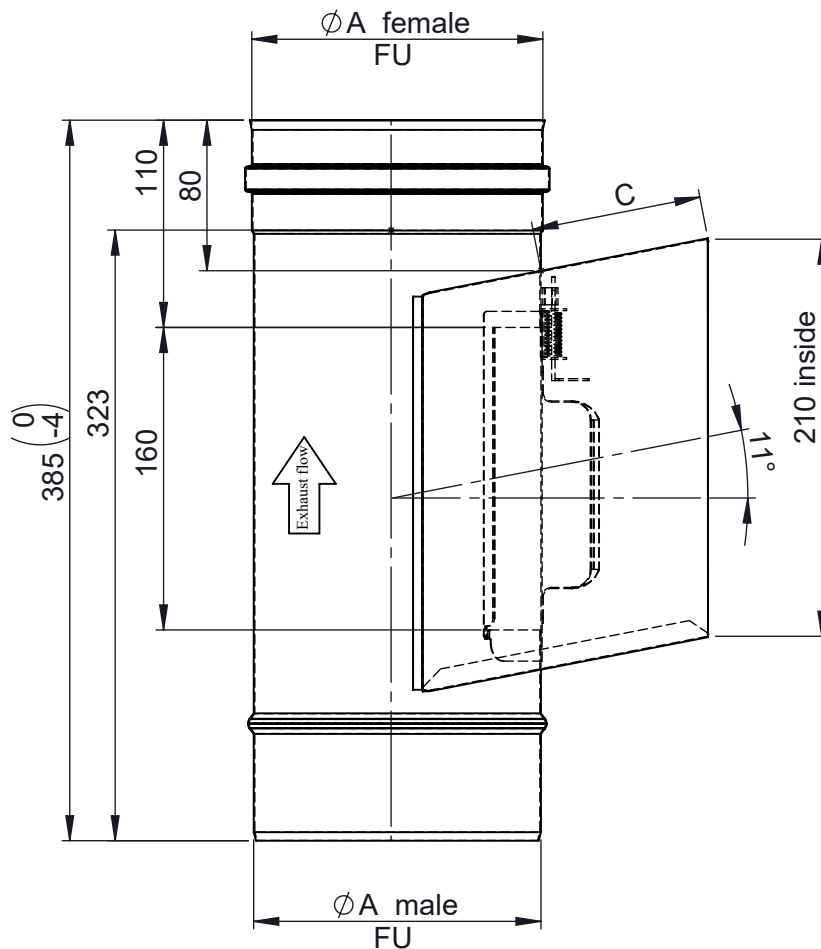
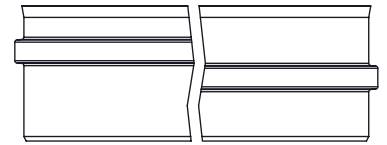
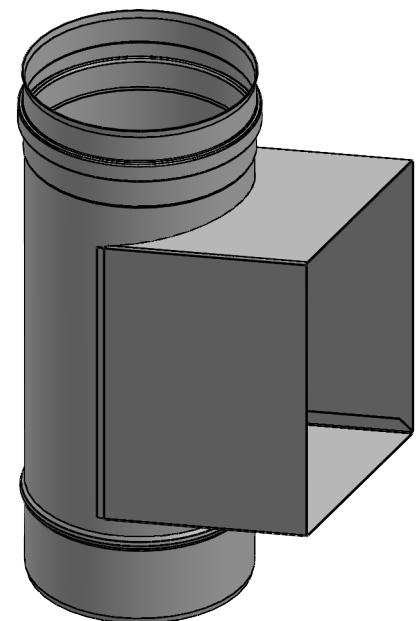
C

D

E

F

Possible type of female part "FU"

M1:5 ($\varnothing 150$)

\varnothing	060-090	100-120	125	130-140	150	160	180	200	225	250	300	350	400	450	500	550	600
A					150	160	180	200	225	250	300	350	400	450	500	550	600
C					90												
D					125												
kg					1,4	1,4	1,5	1,6	1,7	1,9	2,2	2,5	2,8	3,0	3,3	3,6	3,9

notes:

DIN ISO 13920 Tolerances B

revisions-no.

03

mm / kg

Jeremias[®]
CHIMNEY SYSTEMS

scale

1:4

format

A4

sheet

3 of 3

description
Inspection length (up to
600°C/N1), square door with box
210x140mm

code
FU 07K

drawing-no.
01-020-1510-000

