

A

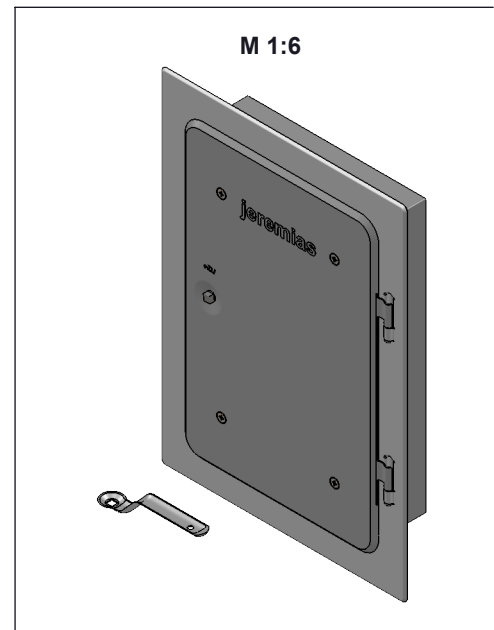
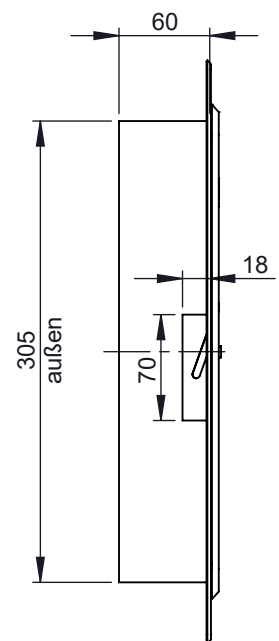
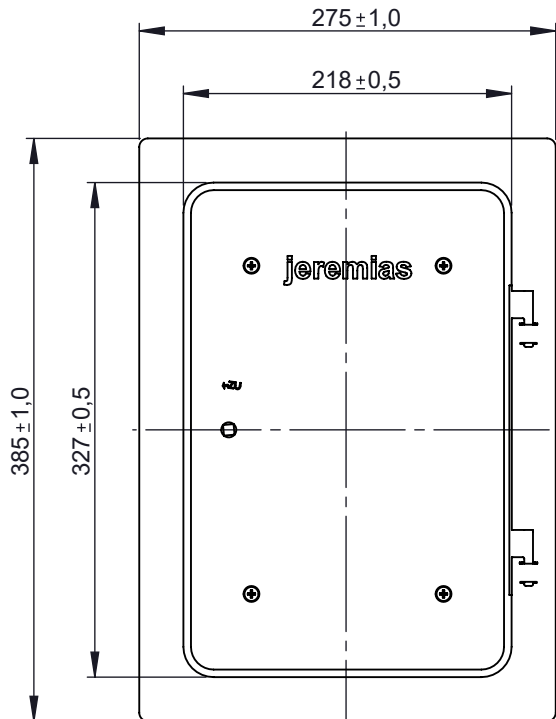
B

C

D

E

F



notes:

DIN ISO 13920 Tolerances B		
revisions-no.	mm / kg	
A1		
	date	name
drawn by	28.04.2021	JLA
checked by		
approved by		
modified by	13.01.2023	EST

description	 CHIMNEY SYSTEMS	
	Edelstahlkamintür 300x200mm ohne Bohrungen & 4 Laschen inkl. Kamintürenschlüssel	
code	FU116060	
drawing-no.	01-01-20-1863-000	

scale	1:5
format	A4
sheet	1 of 1
	